

HMI Panel PC

Model:R05ID3S-IPD1HMHB

Product Features:

- 5.7" TFT LCD with resistive touch screen
- Embedded Intel® Atom Dual-Core N2600 / 1.6GHz processor
- Support Dual Gigabit Ethernet
- Optional Controller Area Network (Support CAN 2.0B)
- Fanless and Ultra-low power consumption
- Aluminium Front Bezel

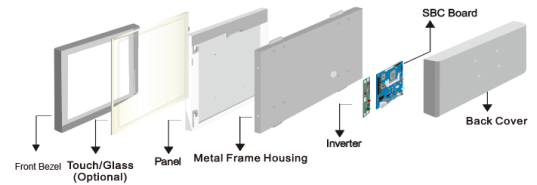


Product Specifications:

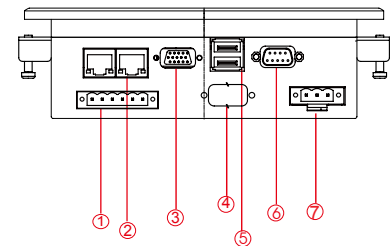
Display	Model Name	R05ID3S-IPD1HMHB
	Size/Type	5.7" TFT
	Resolution (pixels)	640x 480
	Number of Colors	262 K
	Brightness (cd/m2)	900
	Contrast Ratio	300:1
	Viewing Angle	-70~70 (H) ; -40~60 (V)
System	Processor	Intel® Atom Dual Core N2600 /1.6GHz
	Chipset	Intel® NM10
	Memory	1 x SO-DIMM DDR3L 1600 (Default 2GB)
	LAN	Dual Realtek RTL8111B Gigabit LAN Controller Options : Intel® WG82574L GbE LAN Controller for Win CE 7.0 OS
	IDE/SATA	1 x SATAII
	Storage	1 x Mini PCI-E SSD (Default 32GB)
Input / Output	USB Port	2 x USB 2.0
	Ethernet	2 x RJ45-10/100/1000
	VGA	1 x VGA (female)
	RS-232	1 x RS-232 COM Port
	RS-422/485	1 x RS-232/422 / 485 COM Port (Default RS-485)
	CAN BUS	1 x CAN BUS (optional)
	DC-IN	1 x Terminal Block (phoenix type)
Power	Power Input	12~24V DC-IN
	Power consumption	18W (typ.) (Max.backlight & high CPU load)
Environment	Operating Temperature	0 deg.C to 50 deg.C
	Humidity	30% to 90% (non condensing)
Support OS	Windows XP Embedded / Win 7 Pro / WS7E / Windows XP Pro / WinCE 7.0 Core Runtime / WinCE 7.0 Pro Runtime	
Accessory	External Adapter	110~240V Ac-in Power Adapter
Default	Mechanical	PM Panel Mount (6mm bezel)
	Touch	4 Wires Resistive

Panel Mount
6mm IP65 Front bezel

Mechanical Design:

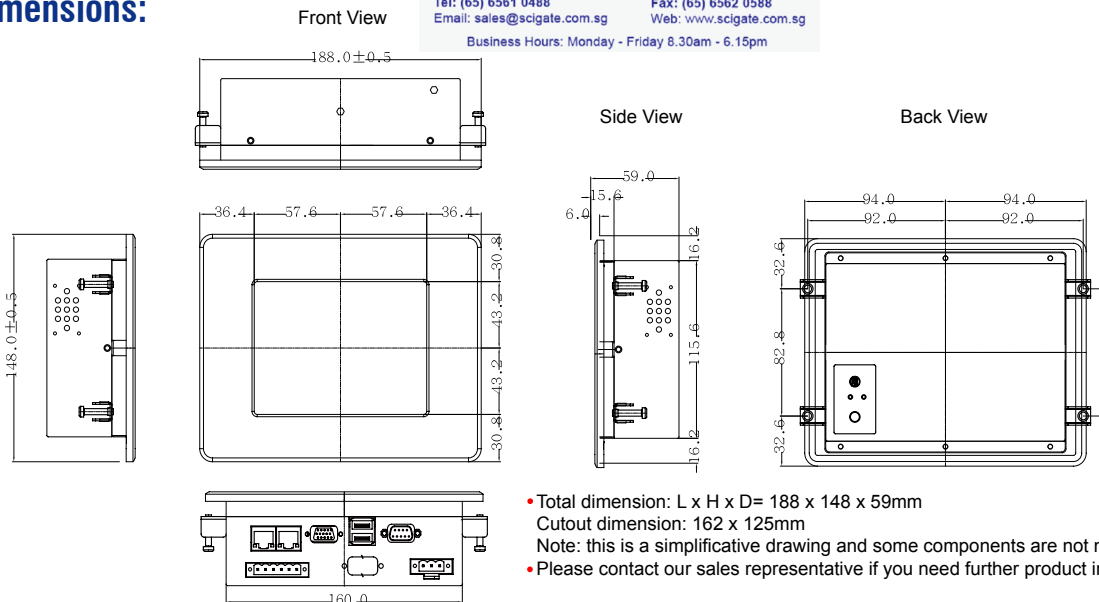


I / O View:



1. CAN BUS (optional)
2. 2 x RJ-45
3. VGA
4. RS-232
5. 2 x USB
6. RS-485 (Default)
7. 12~24V DC-IN Terminal Block (Phoenix Type)

Dimensions:



- Total dimension: L x H x D= 188 x 148 x 59mm
- Cutout dimension: 162 x 125mm
- Note: this is a simplification drawing and some components are not marked in detail.
- Please contact our sales representative if you need further product information