



SCIGATE AUTOMATION (S) PTE LTD

No.1 Bukit Batok Street 22 #01-01 Singapore 659592
 Tel: (65) 6561 0488 Fax: (65) 6562 0588
 Email: sales@scigate.com.sg Web: www.scigate.com.sg
 Business Hours: Monday - Friday 8.30am - 6.15pm

IP65 Solution

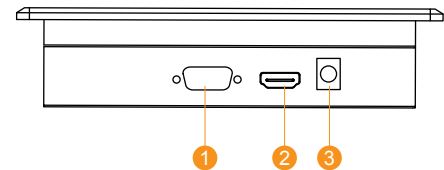
6.5"

Specifications



Model Name	R06L200-IPA1
Panel Size	6.5"
Active Display Area(mm)	132.48 (H) x 99.36 (V)
Resolution	640 x 480
Brightness(cd/m2)	700 (Typical)
Contrast Ratio	600:1 (Typical)
Viewing Angles(CR>=10 L/R/U/D)	-80~80(H) ; -70~70(V)
Display Colors	262K (6 bits/color)
Standard Input Signal	1 x VGA (D-sub 15) 1 x HDMI (Type-A)
Touch Screen(Optional-1)	Resistive Touch Protective Glass
Touch Interface	USB / RS232
Audio / Speakers (Optional)*	Audio line in (3.5mm) + Speaker x2
OSD	5 Keys: -, +, Power, Esc, Enter
Power Input	12V DC input (2.5A) with external AC-DC Adapter (100V~240V)
Power Consumption	15W typical, Normal operation
Operating temperature	0~50°C
Storage Temperature	-10~60°C
Accessories	Power AC-DC Adapter(100V~240V) VGA cable (1.8m) HDMI cable (2m)

*Outside dimension and I/O will be different from standard

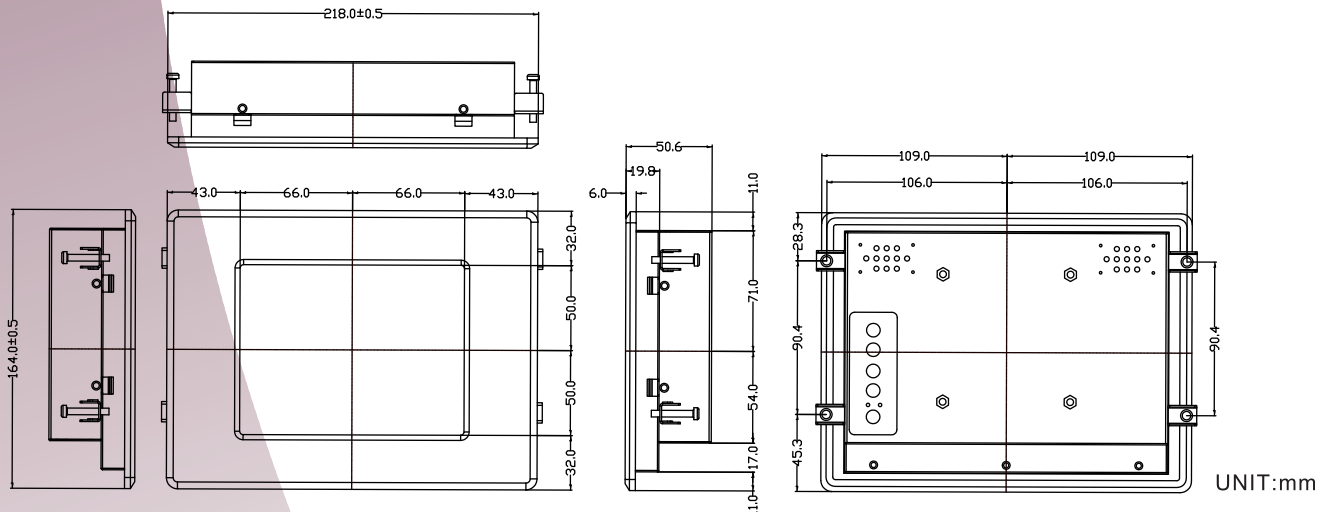


1. VGA
2. HDMI
3. DC input

I/O Optional

Optional 1*	1 x VGA (D-sub 15) 1 x S-Video 1 x Composite
-------------	--

Mechanical Drawing



CUT OUT : 191 x 142mm

* Note: The mechanical drawing may change when adding touch screen. Please contact our sales representative if you need further product information.