

Rugged Panel PC



Model:R08IB3S-VMU1

Product Features:

- Ultra Low Bay Trail N2930 1.83GHz Processor Fanless Design
- High Quality 8.4" Panel, 800 x 600 resolution
- Full IP65 Dust / water resistant Protection (Except I/O parts)
- Aluminum Housing with Anti-Corrosion Treatments
- Anti-Shock and Vibration Standard according to MIL-STD-810F/G
- 4 Wire Resistive Touchscreen / Anti-Reflection Protection Glass (Optional)
- 802.11b/g Wireless LAN with Antenna (Optional)
- Wide Range 9 to 36V DC Input with isolation
- Optional 6-60V DC Input, and Optional for Ignition On/Off delay
- Design to meet EN50155

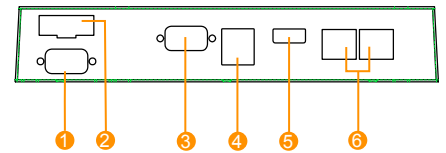


Product Specifications:

Display	Model Name	R08IB3S-VMU1
	Size	8.4"
	Resolution (pixels)	800 x 600
	Number of Colors	262,144 (6bits/color)
	Brightness (cd/m ²)	600 (typ.)
	Contrast Ratio	600 :1 (typ.)
	Viewing Angle	-75 ~ 75 (H) ; -70 ~ 60 (V)
	Active Area	170.4 (H) x 127.8 (V)
System	Touch (optional)	4 wire / 5 wire resistive
	Processor	Intel® Bay Trail N2930 1.83GHz Processor
	Chipset	Bay Trail SoC Chipset
	BIOS	AMI 16Mbit Flash
	Memory	1xDDR3L 1600 MHz SO-DIMM, default 4GB, Max. 8GB
	Ethernet	Intel® I210-AT GbE LAN
	Storage	mSATA SSD, default 64GB
	Expansion Slot	1 x Mini PCIe
Input / Output	Wireless (Optional)	1 x Mini PCIe base Wireless LAN card with SMA antenna
	Back Panel I/O Port	2 x RJ-45 (10/100/1000 Mbps)
		1 x HDMI
		1 x DC-in Jack (Phoenix type)
		1 x USB 3.0, 1 x USB 2.0
1 x RS232/422/485, 1 x RS232		
Environment	WLAN antenna SMA in top (Optional)	
	Operating Temperature	-10 deg.C to 55 deg.C
	Storage Temperature	-30 deg.C to 70 deg.C
	Humidity	10% to 95% (non condensing)
	Shock*	Operating:30g for 18ms, 300m/s ²
	Vibration*	Operating: 1.60/1.96/2.18 g rms for XYZ / 5-500Hz
Mechanical	Power Input	9~36V DC in with isolation (Phoenix type) Optional 6-60V DC in, with Ignition On/Off delay
	Power Consumption	30W typ.
Driver OS Support	Dimensions (W x L x H)	277 mm x 219.5 mm x 59.7 mm
	Windows Embedded Standard 7 (64-bit)	
Certifications	Windows Embedded 8.1 Industry Pro 64-bit	
	Windows 10 IoT Enterprise	
Product Optional Items	Certifications	CE/FCC Class B, MIL-STD-810F/G / for Vibration / Shock
	Packing List	(IB32) SBC Manual & Driver CD
Product Optional Items	Mounting Bracket and Kits	One robust bracket with locking handle (Can adjust from -5 deg.C to 90 deg.C)
	Sunlight Readable	N/A
	Anti-reflective Glass	3mm (Replace touch)
	WLAN	Mini PCIe base Wireless LAN card with SMA antenna
	GPS	USB interface

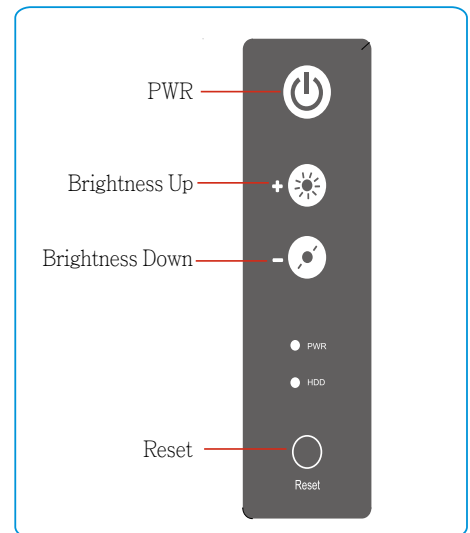


I / O View:

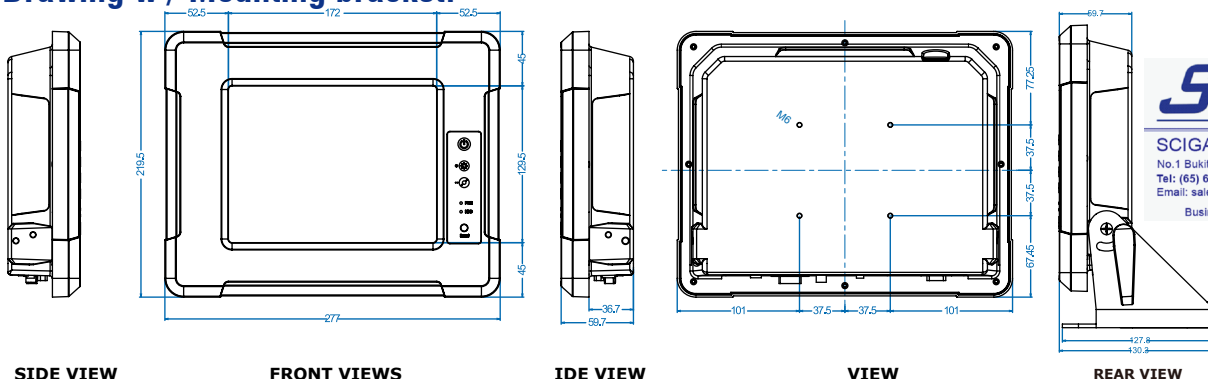


1. RS-232
2. 9~36V Terminal Block
3. RS-232
4. 1xUSB 3.0, 1xUSB 2.0
5. HDMI
6. 2xRJ45

Front OSD Control Function:



Drawing w / Mounting bracket:



SCIGATE AUTOMATION (S) PTE LTD
 No.1 Bukit Batok Street 22 #01-01 Singapore 659592
 Tel: (65) 6561 0488 Fax: (65) 6562 0588
 Email: sales@scigate.com.sg Web: www.scigate.com.sg
 Business Hours: Monday - Friday 8.30am - 6.15pm

