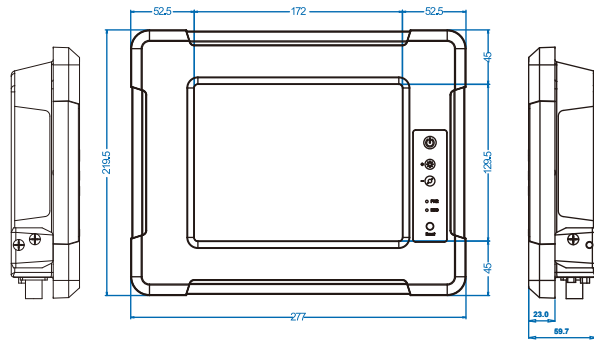


# G-WIN<sup>®</sup> Military Panel PC

ruggedized

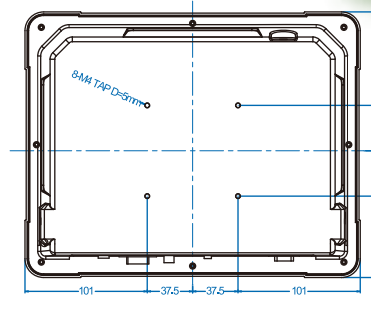
Model Number : R08ID3S-MLT1



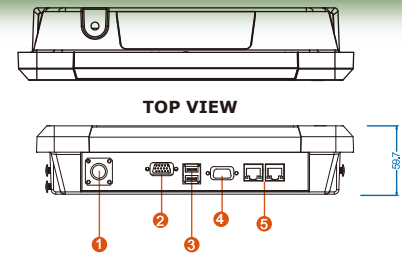
SIDE VIEW

FRONT VIEW

SIDE VIEW



VIEW

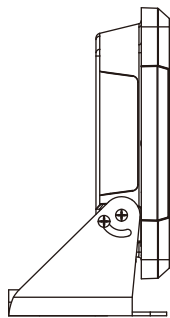


TOP VIEW

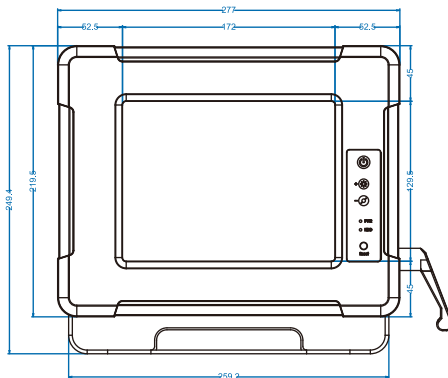
BOTTOM VIEW

1. Military Grade Lockable (MS27467T9F98S) Power Connector
2. VGA
3. USB1.2
4. COM1
5. LAN1.2

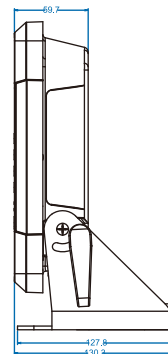
Drawing w / Mounting Bracket



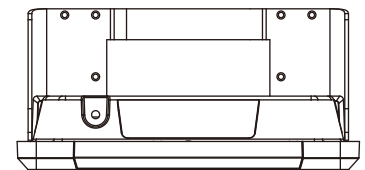
SIDE VIEW



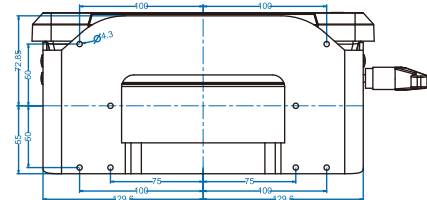
FRONT VIEW



SIDE VIEW



TOP VIEW



REAR VIEW

Measurements shown in mm / All Dimensions are  $\pm 0.5$  mm

\* Note: this is a simplified drawing and some components are not marked in detail. Please contact our sales representative if you need further product information.

## Panel Characteristics

Pixel Number	: 800 x 600
Pixel Pitch(mm)	: 0.213 (H) x 0.213 (V) mm
Contrast Ratio	: 600 : 1(typ.)
Brightness	: 450 cd/m <sup>2</sup> (typ.)
Viewable Angle(CR>=10):	: -80~80 (H); -60~80 (V)
Active Display Area	: 170.4(H) x 127.8(V) mm
Max Colors	: 262,144 (6bits/color)

## System Specifications

Processor	: Intel <sup>®</sup> Atom Dual-Core D2550 1.86GHz Processor
BIOS	: AMI 16Mbit Flash
System Chipset	: Intel <sup>®</sup> NM10 Chipset
System Memory	: 1 x SODIMM, default 2GB, Max 4GB DDR3
Wireless (Optional)	: IEEE802.11 b/g/n for optional
LAN Controller	: Dual Broadcom BCM57780 GigaLAN
Storage	: mSATA SSD, default 32GB
Expansion Slot	: 1 x Mini PCIe

## I/O Connectors

Back Panel I/O Port	: 2 x RJ-45 1 x VGA(DB-15) 1 x Military Grade Lockable (MS27467T9F98S) Power Connector 2 x USB 2.0 1 x RS232/422/485 1 x WLAN antenna SMA in top (Optional)
---------------------	--

## In front Control

Control Button	: Power On/ Off Reset Brightness Up Brightness Down
LED indicator	: Power On/ Off HDD Status

## Mechanical and Environment

Dimensions (W x L x H):	277 mm x 219.5 mm x 59.7 mm
Power Input	: 12V DC / MIL-grade connector
Power Consumption	: 30W typ.
Operation Temperature	: -10 deg.C to 55 deg.C
Operation Humidity	: 10% to 95% (non condensing)
Shock*	: Operating:30g for 18ms, 300m/s <sup>2</sup>
Vibration*	: Operating: 1.60/1.96/2.18 g rms for XYZ / 5-500Hz

\* When use Industrial Compact Flash

## Certifications

CE  
FCC Class B  
MIL810F/G / IEC60068-2-27 for Vibration /Shock

## Product Optional Items

Mounting Bracket and Kits	One robust bracket with locking handle (Can adjust from -5deg. to 90deg.)
Sunlight Readable	Transflective film enhancement for optional
Operation System	Windows XP embedded, Windows 7 embedded
Storage	mSATA SSD up to 256GB
Anti-reflective Glass	3mm Anti-reflective Protection Glass (w/o Touch)
WLAN	IEEE802.11 b/g/n for optional
Wide Power Input Range	9V to 36V wide range acceptable for optional



SCIGATE AUTOMATION (S) PTE LTD

No.1 Bukit Batok Street 22 #01-01 Singapore 659592

Tel: (65) 6561 0488

Fax: (65) 6562 0588

Email: sales@scigate.com.sg

Web: www.scigate.com.sg

Business Hours: Monday - Friday 8.30am - 6.15pm

: 29-Apr-2016 V1.2