

HMI Panel PC

Model:R08ID3S-PMU1HM

Product Features:

- 8.4" TFT LCD with resistive touch screen
- Embedded Intel® Atom Dual-Core N2600 / 1.6GHz processor
- Support Dual Gigabit Ethernet
- Optional Controller Area Network (Support CAN 2.0B)
- Optional 9~36V Wide DC Input
- Fanless and Ultra-low power consumption
- Aluminium Front Bezel



SCIGATE AUTOMATION (S) PTE LTD
 No.1 Bukit Batok Street 22 #01-01 Singapore 659592
 Tel: (65) 6561 0488 Fax: (65) 6562 0588
 Email: sales@scigate.com.sg Web: www.scigate.com.sg
 Business Hours: Monday - Friday 8.30am - 6.15pm



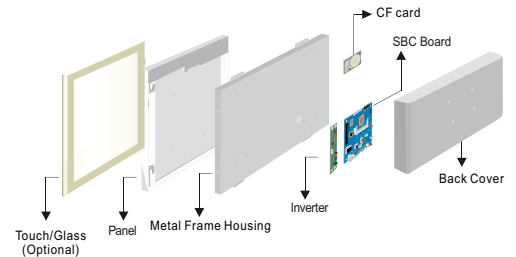
Panel Mount
8mm Front bezel

Product Specifications:

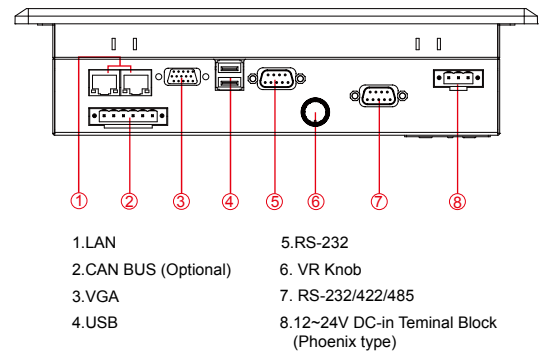


Display	Model Name	R08ID3S-PMU1HM
	Size/Type	8.4" TFT
	Resolution (pixels)	800 x 600
	Number of Colors	16.2M
	Brightness (cd/m2)	600
	Viewing Angle	-75~75 (H) ; -60~70 (V)
System	Processor	Intel® Atom Dual Core N2600 1.6 GHz
	Chipset	Intel® NM10
	Memory	1 x SO-DIMM DDR3 1600/1333 (Default 2GB)
	LAN	Dual Realtek RTL8111B Gigabit LAN Controller Options : Intel® WG82574L GbE LAN Controller for Win CE 7.0 OS
	Storage	1 x Mini PCI-E SSD (Default 32G)
Input / Output	USB Port	2 x USB
	Ethernet	2 x LAN-10 / 100 / 1000
	VGA	1 x VGA (female)
	RS-232	1 x RS-232 COM Port
	RS-422/485	1 x RS-232/422 / 485 COM Port (Default RS-485)
	DC-Input	1 x Terminal block (Phoenix Type)
Power	CAN BUS	1 x CAN BUS (optional)
	Power Input	12~24 DC-IN Power input
	Power consumption	20W (typ.) (Max.backlight & high CPU load)
Environment	Operating Temperature	0 deg.C to 50 deg.C
	Humidity	30% to 90% (non condensing)
Support OS	Windows XP Embedded / Windows 7 / WinCE 7.0 Core Runtime / WinCE 7.0 Pro Runtime	
Accessory	External Adapter	110~240V Ac-in Power Adapter
Default	Mechanical	Open Frame / Panel Mount (8 mm bezel) / IP65 (8 mm bezel)
	Touch	4 Wires Resistive

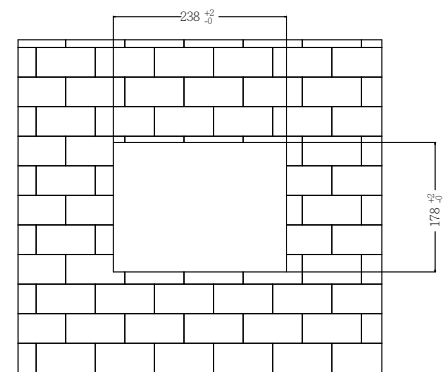
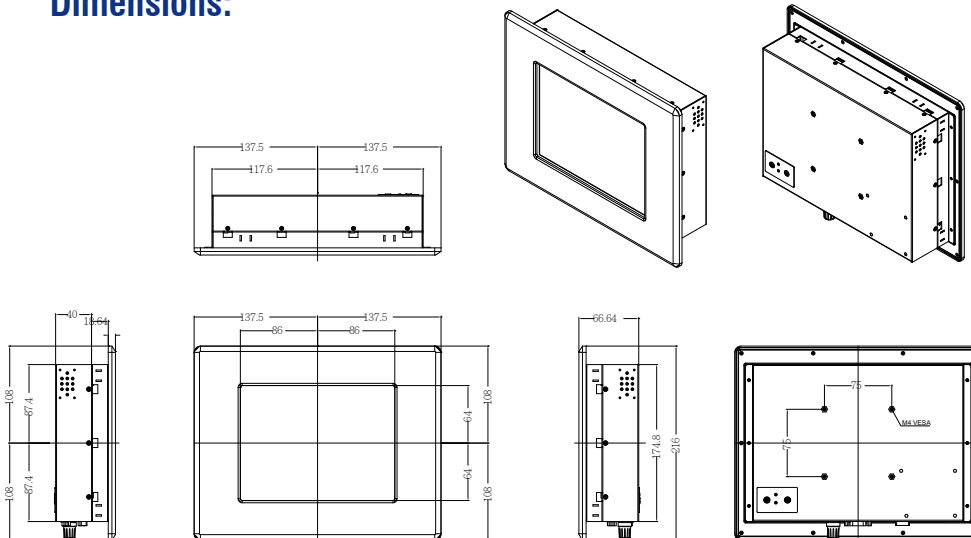
Mechanical Design:



I / O View:



Dimensions:



CUT OUT

*ALL DIMENSION ARE ± 0.5

*CUT OUT DIMENSION(178*238mm)