

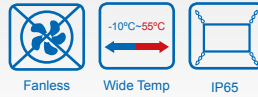
Rugged Display



Model:R08T200-VMU1

Product Features:

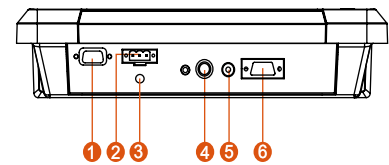
- High Quality 8.4" panel, 800 x 600 resolution, 600 nits
- 5 wire / 4 wire resistive touch screen
- -10 ~ +55°C Wide Range Operating Temperature
- Anti-Corrosion housing with Fanless Design
- IP65 Dust & Waterproof Protection (Except I/O ports)
- 9V ~ 36V DC Isolation Wide Range Power Input



Product Specifications:

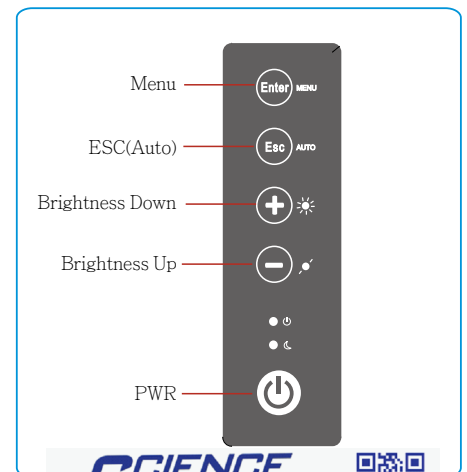
Display	Model Name	R08T200-VMU1
	Size	8.4"
	Resolution (pixels)	800 x 600
	Number of Colors	232, 144 (6bits/color)
	Brightness (cd/m ²)	600(typ.)
	Contrast Ratio	600:1(typ.)
	Viewing Angle	-75~75 (H) ; -70~60 (V)
	Active Area	170.4 (H) x 127.8 (V)
Input / Output	Touch (optional)	5 wire resistive / 4 wire resistive
	1 x RS-232 or USB for Touch (Optional)	
	1 x 9~36V Terminal Block (Default)	
	1 x DC Lockable Input (Optional)	
	1 x S-Video (Optional)	
Environment	1 x Composite (Optional)	
	1 x VGA	
	Operating Temperature	-10 ~ 55°C
	Storage Temperature	-30 ~ 70°C
	Humidity	10 ~ 95% non-condensing
	Shock	Compliance with MIL810F
	Vibration	Compliance with MIL810F
Mechanical	EMC	CE, FCC ClassB
	Reliability	Need to apply 9~36V DC isolation power design
Packing List	Dimension(W x H x D)	277 x 219.5 x 59.7mm
Product Optional Items	R5W AD Board User's Manual	
	Touch's Driver CD	
	Mounting Bracket and Kits	One robust bracket with locking handle (Can adjust from -5deg. to 90deg.)
	Video Input	Composite Video, S-Video for optional
	Sunlight Readable	Transflective film enhancement for optional
	Anti-reflective Glass	3mm (Replace touch)

I / O View:



1. RS232 or USB for Touch (Optional)
2. 9-36V DC Terminal Block (Default)
3. DC Lockable Input (Optional)
4. S-Video (Optional)
5. Composite (Optional)
6. VGA

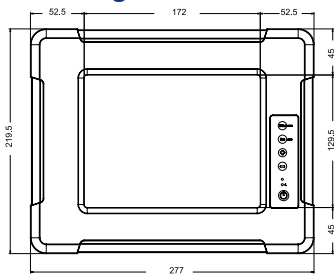
Front OSD Control Function:



SCIGATE AUTOMATION (S) PTE LTD

No.1 Bukit Batok Street 22 #01-01 Singapore 659592
 Tel: (65) 6561 0488 Fax: (65) 6562 0588
 Email: sales@scigate.com.sg Web: www.scigate.com.sg
 Business Hours: Monday - Friday 8.30am - 6.15pm

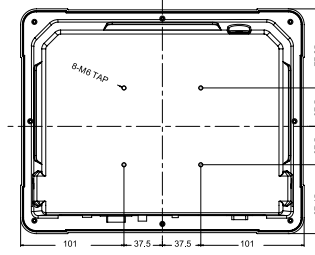
Drawing:



FRONT VIEWS

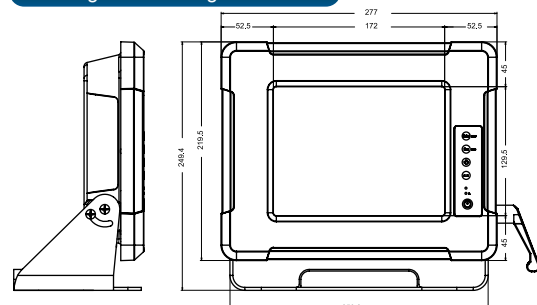


IDE VIEW

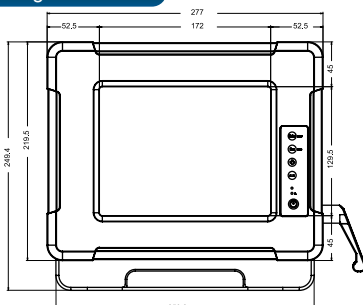


REAR VIEW

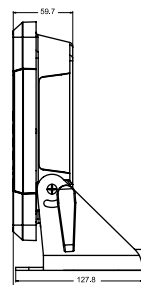
Drawing w / Mounting Bracke t



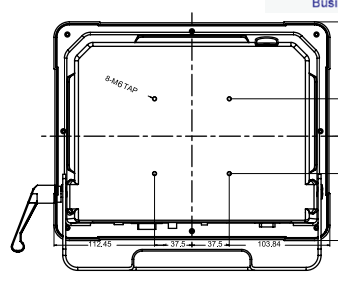
SIDE VIEW



FRONT VIEWS



IDE VIEW



REAR VIEW

