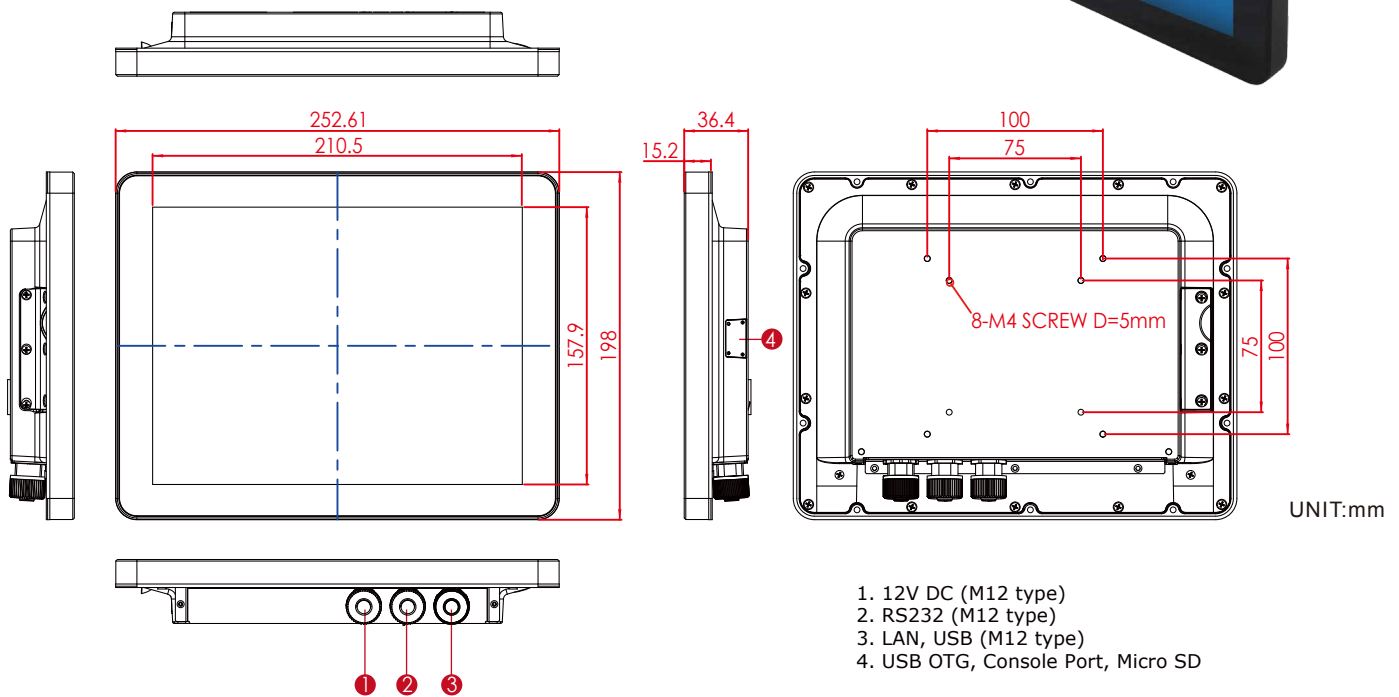


10.4" GS65 Panel PC

R10FA3S-GST2

Features

- 10.4" 1024 x 768 with P-CAP touchscreen
- Freescale Cortex A9 i.MX6 Dual Core 1GHz (Optional Quad Core)
- Fanless cooling system and Ultra-low power consumption
- Onboard LPDDR3 1GB
- Onboard 16GB eMMC Flash
- Full IP65
- 1 x LAN, 1 x RS232, 1 x USB, 1 x USB OTG, 1 x Console, 1 x Micro SD



Specifications

System <ul style="list-style-type: none"> • Processor : Freescale Cortex A9 i.MX6 Dual Core 1GHz (Optional Quad Core) • Memory : 1GB LPDDR3 (Optional 2GB) • Storage : Onboard 16GB eMMC Flash 		Display <ul style="list-style-type: none"> • Size/Type : 10.4" TFT (Widescreen) • Resolution : 1024x768 • Brightness : 350 cd/m2 (typ.) • Contrast Ratio : 1000:1 (typ.) • Viewing Angle : -88~88(H); -88~88(V) • Max Colors : 16.2M • Active Display Area : 210.4 (H) x 157.8 (V) • Touch : Projective-Capacitive Touch with optional protection glass 	
Input / Output <ul style="list-style-type: none"> • COM port : 1 x RS232 (M12 type)(Optional 422/485) • USB Ports : 1 x USB 2.0 (M12 type), 1 x USB OTG (On side) • Ethernet : 1 x 10/100/1000 LAN (M12 type) • Console : 1 x Console port (Linux Use) (On Side) • SD Slot : 1 x Micro SD Card Slot 		Power Considerations <ul style="list-style-type: none"> • Power Input : 12V DC (M12 type) • Power Consumption : 15W 	
OS/BSP Driver Support <ul style="list-style-type: none"> • Operation System : Android 6.0 (Default) Linux Kernel 4.1.15, QT 5.5 Browser (Optional) Ubuntu 16.04 (Optional) 		Environment Considerations <ul style="list-style-type: none"> • Operating Temperature : -15 deg. C to 55 deg. C • Operating Humidity : 10% to 95% (non-condensing) • IP Rating : Full IP65 • Shock Operating : 30g for 18ms, 300m/s² • Vibration Operating : 1.60/1.96/2.18 g rms for XYZ/ 5-500Hz 	
Mechanical Specifications <ul style="list-style-type: none"> • Cooling System : Fanless design • Mounting : VESA Mount (75x75mm), Panel Mount • Dimensions(W x H xD) : 252.61 x 198 x 36.4 (mm) 		Certifications & Standards <ul style="list-style-type: none"> • Compliant with MIL-STD-810F/G for vibration / shock, CE, FCC 	

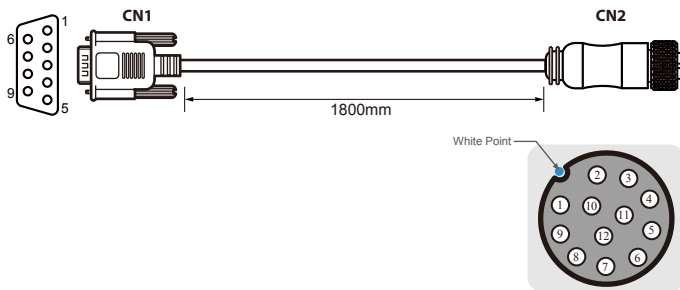


10.4" GS65 Panel PC

R10FA3S-GST2

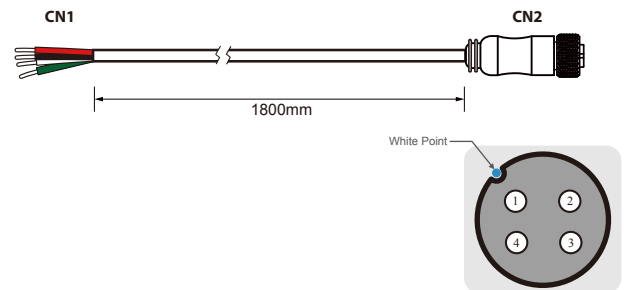
Features

RS-232 to M12 Cable



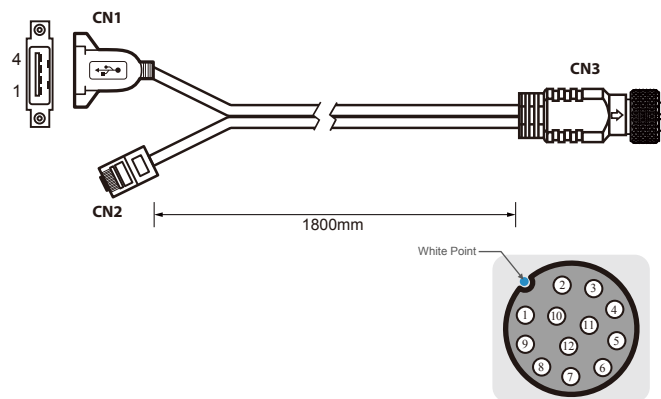
Pin No.	Symbols	Color		Pin No.	Symbols	Color
CN1-1	DCD	Green	↔	CN2-1	DCD	Green
CN1-6	DSR	Brown	↔	CN2-2	DSR	Brown
CN1-2	RXD	Red	↔	CN2-3	RXD	Red
CN1-7	RTS	Orange	↔	CN2-4	RTS	Orange
CN1-3	TXD	Blue	↔	CN2-5	TXD	Blue
CN1-8	CTS	White	↔	CN2-6	CTS	White
CN1-4	DTR	Purple	↔	CN2-7	DTR	Purple
CN1-9	RI	Yellow	↔	CN2-8	RI	Yellow
CN1-5	GND	Black	↔	CN2-9	GND	Black

DC Power to M12 Cable



Pin No.	Symbols	Color		Pin No.	Symbols	Color
CN1-1	VIN+	Red	↔	CN2-1	VIN+	Red
CN1-2	VIN-	Black	↔	CN2-2	VIN-	Black
CN1-3	VIN-	White	↔	CN2-3	VIN-	White
CN1-4	IGN_IN	Green	↔	CN2-4	IGN_IN	Green

USB 2.0 & GIGA LAN to M12 Cable



Pin No.	Symbols	Color		Pin No.	Symbols	Color
CN3-1	VCC	RED	↔	CN1-1	VCC	RED
CN3-2	D-	WHITE	↔	CN1-2	D-	WHITE
CN3-3	D+	GREEN	↔	CN1-3	D+	GREEN
CN3-4	GND	BLACK	↔	CN1-4	GND	BLACK
CN3-5	White/Orange		↔	CN2-1	White/Orange	
CN3-6	Orange		↔	CN2-2	Orange	
CN3-7	White/Green		↔	CN2-3	White/Green	
CN3-8	Blue		↔	CN2-4	Blue	
CN3-9	White/Blue		↔	CN2-5	White/Blue	
CN3-10	Green		↔	CN2-6	Green	
CN3-11	White/Brown		↔	CN2-7	White/Brown	
CN3-12	Brown		↔	CN2-8	Brown	

Twisted pairs

SCIGATE AUTOMATION (S) PTE LTD
 No.1 Bukit Batok Street 22 #01-01 Singapore 659592
 Tel: (65) 6561 0488 Fax: (65) 6562 0588
 Email: sales@scigate.com.sg Web: www.scigate.com.sg
 Business Hours: Monday - Friday 8.30am - 6.15pm