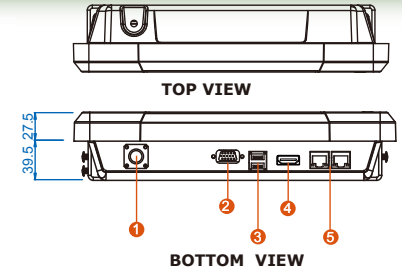
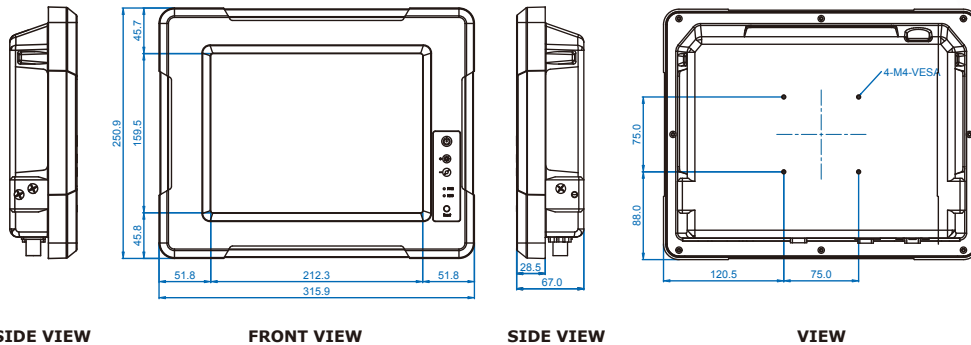


G-WIN[®] Military Panel PC



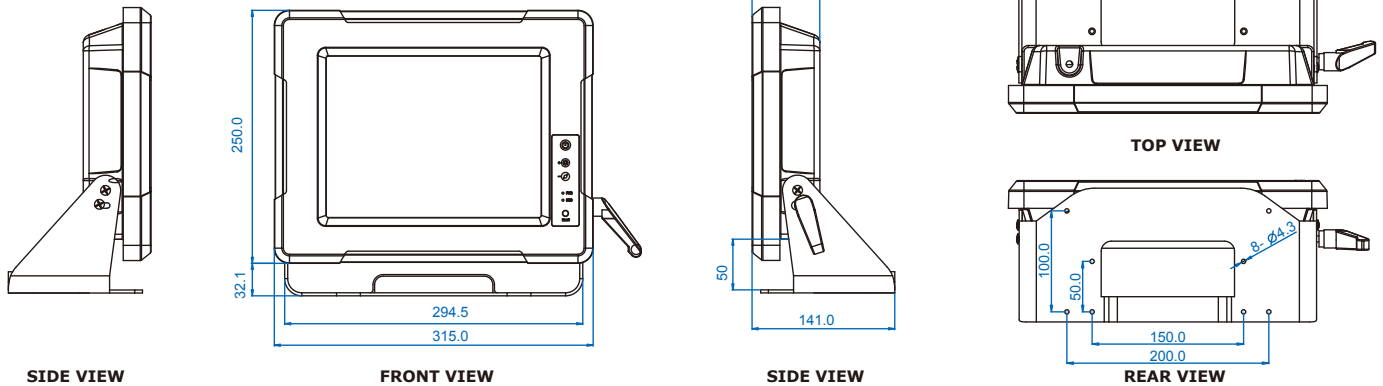
SCIGATE AUTOMATION (S) PTE LTD
 No.1 Bukit Batok Street 22 #01-01 Singapore 659592
 Tel: (65) 6561 0488 Fax: (65) 6562 0588
 Email: sales@scigate.com.sg Web: www.scigate.com.sg
 Business Hours: Monday - Friday 8.30am - 6.15pm

Model Number : R10IB3S-MLT2



1. Military Grade Lockable (MS27467T9F98S) Power Connector
2. RS232/422/485
3. 1xUSB 3.0, 1xUSB 2.0
4. HDMI
5. 2xRJ45

Drawing / Mounting Bracket



Measurements shown in mm / All Dimensions are ± 0.5 mm

* Note: this is a simplified drawing and some components are not marked in detail. Please contact our sales representative if you need further product information.

System Specification

Processor : Intel[®] Bay Trail N2930 1.83Ghz Processor
 Chipset : Bay Trail SoC Chipset
 BIOS : AMI 16Mbit Flash
 Memory : 1xDDR3L 1066 / 1333 MHz SO-DIMM default 4GB, Max. 8GB
 Ethernet : Intel[®] I210-AT GbE LAN
 Storage : mSATA SSD, default 64GB
 Expansion Slot : 1 x Mini PCIe slot (for wireless module)
 1 x Mini PCIe slot (for SATA SSD)

Mechanical and Environment

Dimensions (W x L x H) : 315 mm x 250 mm x 67mm
 Power Input : 12V DC / MIL-grade connector
 Power Consumption : 35W typ.
 Operating Temperature : -10 deg.C to 55 deg.C
 Operating Humidity : 10% to 95% (non condensing)
 Mounting : VESA mount, Vehicle mount
 Shock : Operating:30g for 18ms, 300m/s²
 Vibration : Operating: 1.60/1.96/2.18 g rms for XYZ / 5-500Hz

I/O Connectors

I/O Port : Military Grade Lockable (MS27467T9F98S) Power Connector
 1x RS232/422/485
 1x USB 2.0, 1x USB 3.0
 1x HDMI
 WLAN antenna SMA in top(Optional)
 Back Panel : 2 x RJ-45(10/100/100 Mbps)

Certifications

CE/FCC Class B
 MIL810F/G / IEC60068-2-27 for Vibration /Shock

Product Optional Items

Mounting Bracket and Kits	One robust bracket with locking handle (Can adjust from -5deg. to 90deg.)
Sunlight Readable	Transflective film enhancement for optional
Operation System	Windows Embedded Standard 7 / Windows Embedded 8.1 Industrial /Windows 10 IoT Enterprise
Storage	mSATA SSD up to 256GB
Glass / Touch	3mm Anti-reflective Protection Glass Resistive Touch Screen
WLAN	IEEE802.11 b/g/n for optional
Wide Power Input Range	9V to 36V wide range acceptable for optional

In Font Control

Control Button : Power On/ Off
 Reset
 Brightness Up (up to 100%)
 Brightness Down (dim to 0%)
 LED indicator : Power On/ Off
 HDD Status

Display Specification

Size : 10.4 TFT
 Resolution : 1024 x 768 pixels
 Brightness : 350 cd/m³ (typ)
 Contrast Ratio : 1200 : 1 (typ)
 Viewing Angle : -88~88(H); -88~88(V)
 Max. Colors : 16.2M

Environmental(MIL-STD 461E/F Compliance)

RE : RE 101 / RE 102
 CE : CE 101 / CE 102
 Optional with EMI Glass / Touch
 CS : RS101 / RS103
 CS : CS 101 / CS 106 / CS 109 / CS 114
 CS 115 / CS 116