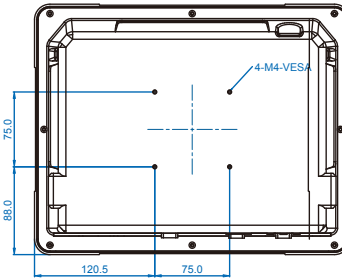


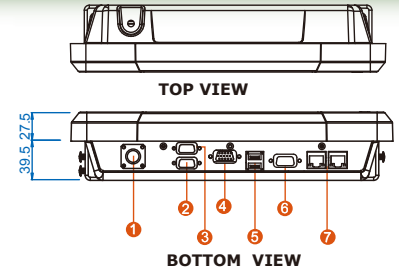
SIDE VIEW

FRONT VIEW

SIDE VIEW



VIEW

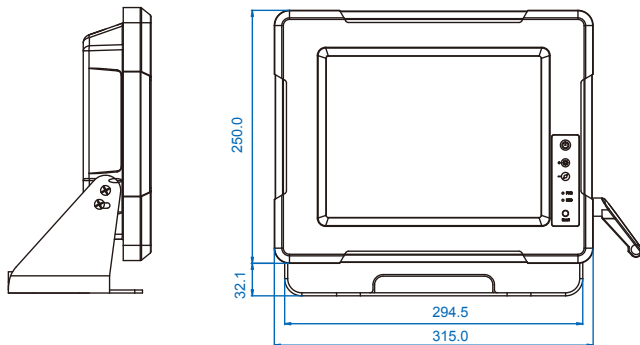


TOP VIEW

BOTTOM VIEW

- 1. Military Grade Lockable (MS27467T9F98S) Power Connector
- 2.COM4
- 3.COM3 (optional)
- 4.VGA
- 5.USB2.0
- 6.COM1
- 7.LAN

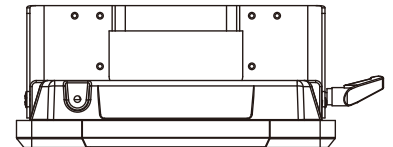
**Drawing / Mounting Bracket**



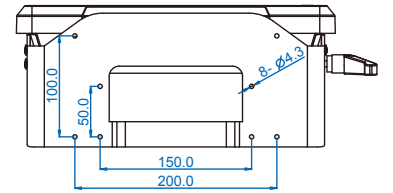
SIDE VIEW

FRONT VIEW

SIDE VIEW



TOP VIEW



REAR VIEW

Measurements shown in mm / All Dimensions are ± 0.5 mm

\* Note: this is a simplified drawing and some components are not marked in detail. Please contact our sales representative if you need further product information.

**System Specification**

- Processor : Intel<sup>®</sup> Atom Dual-Core D2550 1.86GHz Processor
- BIOS : AMI 16Mbit Flash
- System Chipset : Intel<sup>®</sup> NM10 Chipset
- System Memory : 1 x SODIMM, default 2GB, Max 4GB DDR3
- Wireless(Optional) : IEEE802.11b/g/n for optional
- LAN Controller : Dual Broadcom BCM57780 GigaLAN
- Storage : mSATA SSD, default 32GB
- Expansion Slot : 1 x Mini PCIe

**Mechanical and Environment**

- Dimensions (W x L x H) : 315 mm x 250 mm x 67mm
- Power Input : 12V DC / MIL-grade connector
- Power Consumption : 30W typ.
- Operating Temperature : -10 deg.C to 55 deg.C
- Operating Humidity : 10% to 95% (non condensing)
- Mounting : VESA mount, Vehicle mount
- Shock : Operating:30g for 18ms, 300m/s<sup>2</sup>
- Vibration : Operating: 1.60/1.96/2.18 g rms for XYZ / 5-500Hz

**I/O Connectors**

- Back Panel : 2 x RJ-45(10/100/100 Mbps)
- I/O Port : 1 x VGA(DB-15)
- Military Grade Lockable (MS27467T9F98S) Power Connector
- 2x USB 2.0
- 1x RS232, 1x RS232/422/485(Optional)
- WLAN antenna SMA in top(Optional)

**Certifications**

- CE/FCC Class B
- MIL810F/G / IEC60068-2-27 for Vibration /Shock

**Product Optional Items**

Mounting Bracket and Kits	One robust bracket with locking handle (Can adjust from -5deg. to 90deg.)
Sunlight Readable	Transflective film enhancement for optional
Operation System	Windows Embedded Standard 7
Storage	mSATA SSD up to 256GB
Glass / Touch	3mm Anti-reflective Protection Glass Resisive Touch Screen
WLAN	IEEE802.11 b/g/n for optional
Wide Power Input Range	9V to 36V wide range acceptable for optional

**In Font Control**

- Control Button : Power On/ Off  
Reset  
Brightness Up (up to 100%)  
Brightness Down (dim to 0%)
- LED indicator : Power On/ Off  
HDD Status

**Display Specification**

- Size : 10.4 TFT
- Resolution : 1024 x 768 pixels
- Brightness : 350 cd/m<sup>3</sup> (typ)
- Contrast Ratio : 1200 : 1 (typ)
- Viewing Angle : -88~88(H);-88~88(V)
- Max. Colors : 16.2M



**SCIGATE AUTOMATION (S) PTE LTD**  
 No.1 Bukit Batok Street 22 #01-01 Singapore 659592  
 Tel: (65) 6561 0488 Fax: (65) 6562 0588  
 Email: sales@scigate.com.sg Web: www.scigate.com.sg  
 Business Hours: Monday - Friday 8.30am - 6.15pm