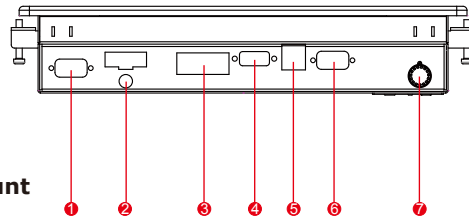


R10ID3S-PPT2 10.4" P-CAP Panel PC

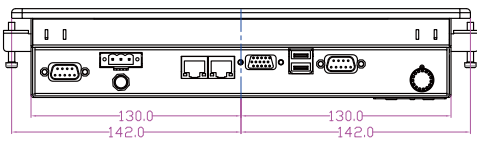
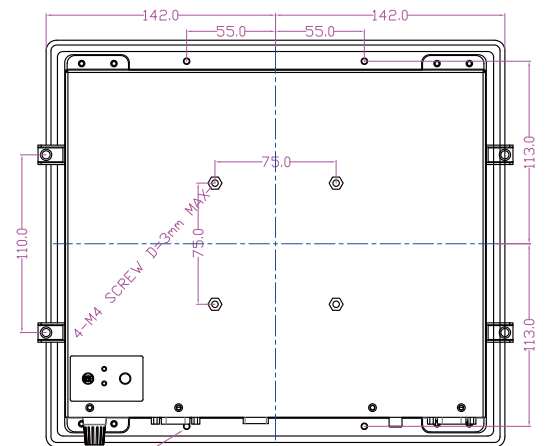
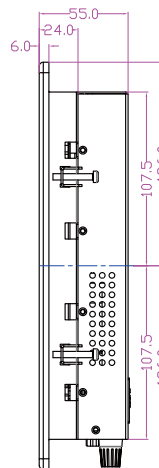
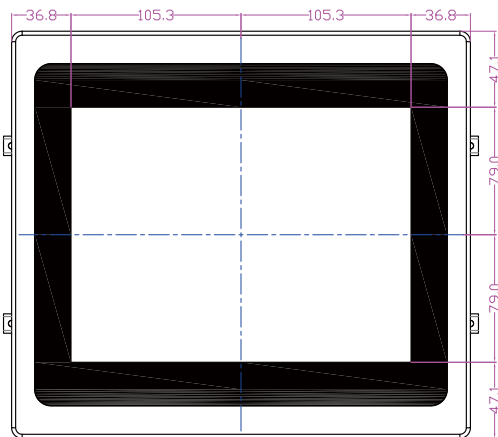
Mechanical Design



Real Flat Panel Mount (IP65 front side)



1. RS232
2. 12V ~ 24V DC IN (Lockable)
3. RJ - 45 (LAN) x 2
4. VGA Output
5. USB x 2
6. RS232 / 422 / 485
7. Brightness Adjustment Knob



Specifications

System :

- Processor : Intel® Atom N2600 1.6GHz
- System Chipset : Intel® NM10 Chipset
- System Memory : 2GB SODIMM DDR3-1333 (Max to 4GB)
- Storage : 32GB SATA SSD
- LAN : Dual Broadcom BCM57780 GbE Controller

Input / Output :

- Serial Ports : 1 x RS232/422/485
1 x RS232
- USB Ports : 2 x USB 2.0
- Ethernet : 2 x RJ 45-10/100/1000 Mbps
- VGA : 1 x VGA (female)

Panel Spec :

- Size/Type : 10.4" TFT
- Resolutions : 1024x768
- Brightness : 350 nit (typ.)
- Contrast Ratio : 1200 : 1 (typ.)
- Viewing Angle : -88~88(H); -88~88(V)
- Max Colors : 16.2M colors

Power Specifications :

- Power Input : 12V~24V DC IN

Mechanical Specification :

- Cooling System : Fanless design
- Mounting : VESA Mount(75x75mm)
- Dimension (W x H x D) : 284 x 252 x 55 (mm)

Environment Considerations :

- Operating Temperature : 0 deg.C to 50deg.C
- Operating Humidity : 30% to 90% (non condensing)

OS BSP / Driver Support

- Support Windows Embedded Std.7 - WS7P

Touch Spec

- Projected Capacitive multi_touch



SCIGATE AUTOMATION (S) PTE LTD

No.1 Bukit Batok Street 22 #01-01 Singapore 659592

Tel: (65) 6561 0488

Fax: (65) 6562 0588

Email: sales@scigate.com.sg

Web: www.scigate.com.sg

Business Hours: Monday - Friday 8.30am - 6.15pm



Note: All Specifications are subject to change without prior notice!

17-Jun-2016 V1.3