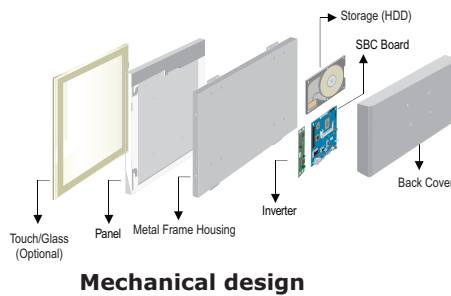


# R10ID7T-OFT2 10.4" Panel PC (Intel® Atom Dual Core D2550+NM10 Platform)

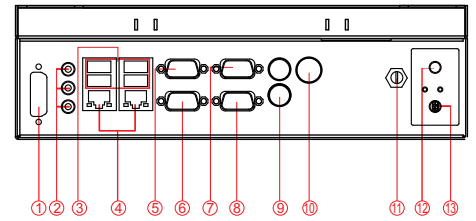
Mechanical Design



Open Frame



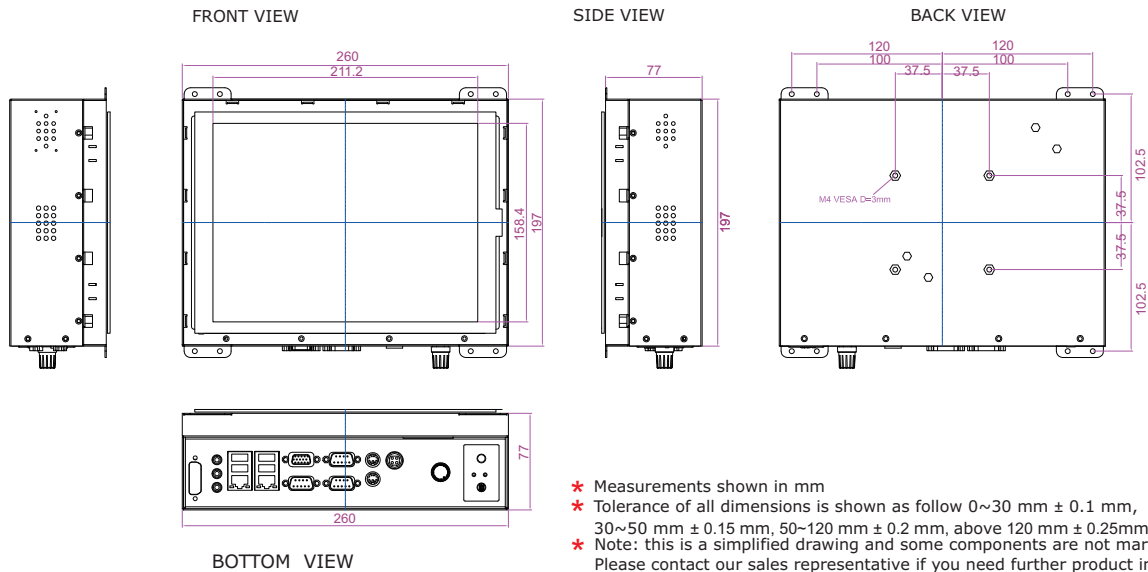
Mechanical design



- 1.DVI (Optional)
- 2.Audio jack
- 3.USB
- 4.RJ-45.
- 5.VGA Out
- 6.RS-232 Conn.
- 7.RS-232 Conn.
- 8.RS-232 Conn.
- 9.PS/2
- 10.12V DC-IN
- 11.Brightness Adjustment Knob
- 12.Power On Button
- 13.Power Reset Button

Fully Integrated I/O

## Dimensions



- \* Measurements shown in mm
- \* Tolerance of all dimensions is shown as follow 0~30 mm ± 0.1 mm, 30~50 mm ± 0.15 mm, 50~120 mm ± 0.2 mm, above 120 mm ± 0.25mm
- \* Note: this is a simplified drawing and some components are not marked in detail. Please contact our sales representative if you need further product information.

## Specifications

### System :

- CPU : Intel® Atom Dual Core D2550 1.86GHz Processor
- Memory Slot : DDR3 1600 MHz SO-DIMM Slot, Max. 4GB
- System Chipset : NM10
- IDE/SATA : 2 x SATA
- LAN : Dual Broadcom BCM57780 GbE controller
- Audio Codec : Realtek ALC886 HD Audio Codec

### Panel Spec :

- Size/Type : 10.4" TFT
- Resolutions : 1024 x 768
- Brightness : 350 cd/m<sup>2</sup>(typ.)
- Contrast Ratio : 1200 : 1(typ.)
- Viewing Angle : -88~88(H);-88~88(V)
- Max. Colors : 16.2M

### Input / Output :

- Serial Ports : 2 x RS232, 1 x RS232/422/485
- USB Ports : 4 x USB Type-A Receptacle
- Keyboard / Mouse : 2 x PS/2
- Ethernet : 2 x RJ45-10/100/1000 Mbps
- VGA : 1 x VGA (female)
- Audio : Line-out, Line-in, Mic in ● Default setting:RS232

### Environment Considerations :

- Operating Temperature : 0 deg.C to 50 deg.C
- Operating Humidity : 30% to 90% (non condensing)

### OS BSP / Driver Support :

- Support Windows 7 embedded / Windows XP embedded

### Expansion Slot :

- 2 x Mini PCIe (1 for WiFi, 1 for 3G Module), 1 x PCI
- \* A customized housing is needed if you would like to have the PCI expansion.

### Power Specifications :

- Power Input : 12V DC IN
- Power Consumption : 32W (typ.)(Max.backlight & high CPU load)

### Order Options :

- |                                                                                                                                                                                   |                                                                                                                                                                                   |
|-----------------------------------------------------------------------------------------------------------------------------------------------------------------------------------|-----------------------------------------------------------------------------------------------------------------------------------------------------------------------------------|
| <ul style="list-style-type: none"> <li>Mechanical : Open Frame</li> <li>Panel Mount(6 mm bezel)</li> <li>IP65(6 mm bezel)</li> <li>Touch : 5-Wires Resistive(Optional)</li> </ul> | <ul style="list-style-type: none"> <li>Storage : 2.5" HDD/ 2.5" SSD</li> <li>RAM : DDR3 1600 Max 4GB</li> <li>OS : Windows 7 embedded / Windows XP embedded (Optional)</li> </ul> |
|-----------------------------------------------------------------------------------------------------------------------------------------------------------------------------------|-----------------------------------------------------------------------------------------------------------------------------------------------------------------------------------|
- (A customized housing is needed if you have demands of SAW/IR/IT/SC touch)

### Accessories :

- External Adapter : 110~240V Ac-in Power Adapter



**SCIGATE AUTOMATION (S) PTE LTD**  
 No.1 Bukit Batok Street 22 #01-01 Singapore 659592  
 Tel: (65) 6561 0488 Fax: (65) 6562 0588  
 Email: sales@scigate.com.sg Web: www.scigate.com.sg  
 Business Hours: Monday - Friday 8.30am - 6.15pm



10-May-2016 V1.3

Note: All Specifications are subject to change without prior notice!