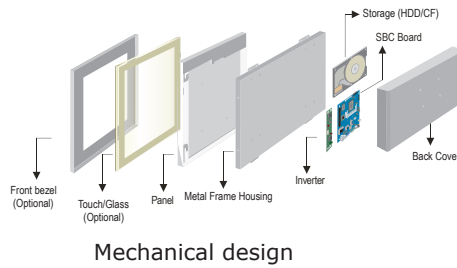


R10ID7T-PMP1 10.4" Panel PC (Intel® Atom Dual Core D2550+NM10 Platform)

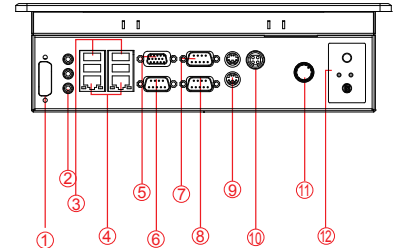
Mechanical Design



Panel Mount (6 mm front bezel)



Mechanical design

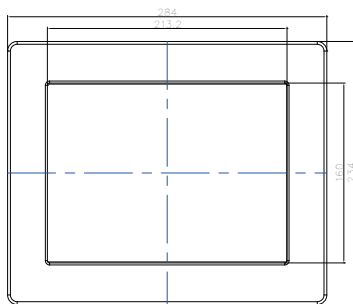


1. DVI (Optional)
2. Audio jack
3. USB
4. RJ-45
5. VGA Out
6. RS-232 Conn.
7. RS-232 Conn.
8. RS-232 Conn.
9. PS/2
10. DC-IN Power Jack
11. Brightness Adjustment Knob
12. Power / Reset

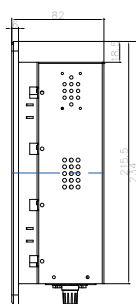
Fully Integrated I/O

Dimensions

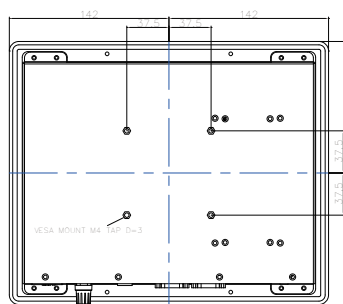
FRONT VIEW



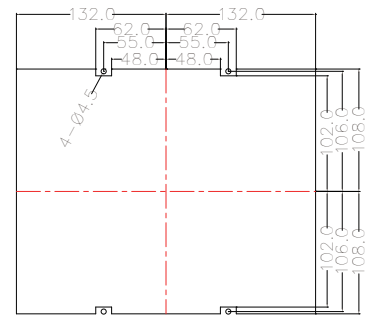
SIDE VIEW



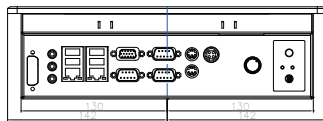
BACK VIEW



CUT OUT



1:2



BOTTOM VIEW

- * Total dimension: 284 x 234 x 82 mm
- * Cutout dimension: 261 x 202 mm
- * Measurements shown in mm
- * Tolerance of all dimensions is shown as follow 0~30 mm ± 0.1 mm, 30~50 mm ± 0.15mm, 50~120mm ± 0.2mm, above 120mm ± 0.25mm
- * Note: this is a simplified drawing and some components are not marked in detail. Please contact our sales representative if you need further product information.

Specifications

System :

- CPU : Intel® Atom Dual Core D2550 1.86GHz Processor
- Memory Slot : DDR3 1600 MHz SO-DIMM Slot, Max. 4GB
- System Chipset : NM10
- IDE/SATA : 2 x SATA
- LAN : Dual Broadcom BCM57780 GbE controller
- Audio Codec : Realtek ALC886 HD Audio Codec

Panel Spec :

- Size/Type : 10.4" TFT
- Resolutions : 800 x 600
- Brightness : 600 cd/m²(typ.)
- Contrast Ratio : 400 : 1(typ.)
- Viewing Angle : -70~70(H); -70~60(V)
- Max. Colors : 16.2M(8bits)

Input / Output :

- Serial Ports : 2 x RS232, 1 x RS232/422/485
- USB Ports : 4 x USB Type-A Receptacle
- Keyboard / Mouse : 2 x PS/2
- Ethernet : 2 x RJ45-10/100/1000 Mbps
- VGA : 1 x VGA (female)
- Audio : Line-out, Line-in, Mic in • Default setting: RS232

Environment Considerations :

- Operating Temperature : 0 °C to 50 °C
- Operating Humidity : 30% to 90% (non condensing)

OS BSP / Driver Support :

- Support Windows 7 embedded / Windows XP embedded

Expansion Slot :

- 2 x Mini PCIe (1 for WiFi, 1 for 3G Module), 1 x PCI
- * A customized housing is needed if you would like to have the PCI expansion.

Power Specifications :

- Power Input : 12V DC IN
- Power Consumption : 37W (typ.)(Max.backlight & high CPU load)

Accessories :

- External Adapter : 110~240V Ac-in Power Adapter

Order Options :

- | | |
|-------------------------------------|--|
| Mechanical : Panel Mount | Storage : 2.5" HDD/ 2.5" SSD |
| Touch : 5-Wires Resistive(Optional) | RAM : DDR3 1600 Max 4GB |
| | OS : Windows 7 embedded / Windows XP embedded (Optional) |
- (A customized housing is needed if you have demands of SAW/IR/IT/SC touch)



SCIGATE AUTOMATION (S) PTE LTD
 No.1 Bukit Batok Street 22 #01-01 Singapore 659592
 Tel: (65) 6561 0488 Fax: (65) 6562 0588
 Email: sales@scigate.com.sg Web: www.scigate.com.sg
 Business Hours: Monday - Friday 8.30am - 6.15pm

