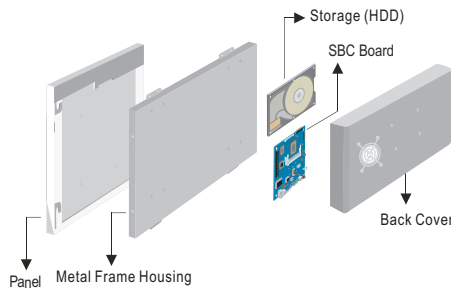


# R10IV7T-0FT2 10.4" Panel PC (Intel® 3rd Generation Core™ i7 / i5 / i3)

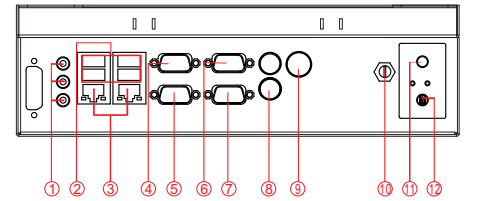
Mechanical Design



Open Frame

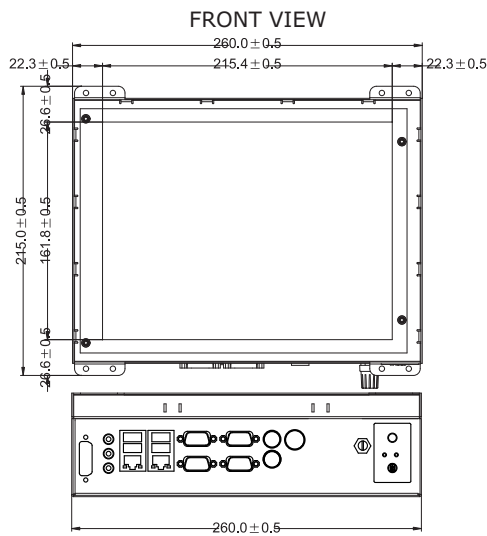


Mechanical design

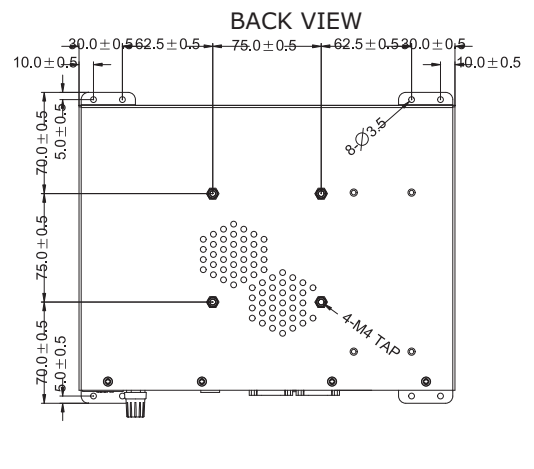
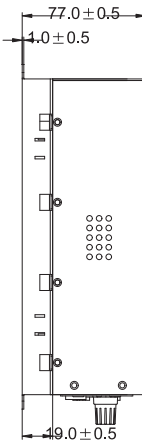


1. Audio Jack
2. USB
3. RJ-45
4. VGA Out
5. RS-232 Conn.
6. RS-232 Conn.
7. RS-232 Conn.
8. PS/2
9. DC-IN Power Jack
10. Brightness Adjustment Knob
11. Power On Button
12. Power Reset Button

Fully Integrated I/O



## DIMENSIONS



- \* Measurements shown in mm
- \* Tolerance of all dimensions is shown as follow 0~30 mm ± 0.1 mm, 30~50 mm ± 0.15 mm, 50~120 mm ± 0.2 mm, above 120 mm ± 0.25mm
- \* Note: this is a simplified drawing and some components are not marked in detail. Please contact our sales representative if you need further product information.

## Specifications

### System :

- CPU : Intel® 3rd Generation Core™ i7/i5/i3
- Memory : 2 x SO-DIMM, Max 16GB DDR3 1333/1600
- System Chipset : Intel® HM76 Chipset
- Storage : 1 x SATAIII, 1 x SATAII, 1 x mSATA
- LAN : Dual Broadcom BCM57780 GbE
- Audio Codec : Realtek ALC886 HD Audio Codec

### Panel Spec :

- Size/Type : 10.4TFT
- Resolutions : 1024 x 768
- Brightness : 350 cd/m<sup>2</sup> (typ.)
- Contrast Ratio : 1200 : 1 (typ.)
- Viewing Angles : -88~88(H); -88~88(V)
- Max Colors : 16.2M Colors

### Input / Output :

- Serial Ports : 2 x RS232, 1 x RS232/422/485
- USB Ports : 4 x USB 3.0
- Keyboard / Mouse : 2 x PS/2
- Ethernet : 2 x RJ 45-10/100/1000 Mbps
- VGA : 1 x VGA (female)
- Audio : Line-Out, Line-In, Mic in

• Default setting:RS232

### Environment Considerations :

- Operating Temperature : 0 deg.C to 45 deg.C
- Operating Humidity : 30% to 90% (non condensing)

### OS BSP / Driver Support :

- Support Windows 10 IoT Enterprise / Windows 7 / Windows XP Embedded / Windows XPP Embedded

### Order Options :

Mechanical : Open Frame	CPU : Check with Sales
Panel Mount(5 mm bezel)	Storage : 2.5" HDD/SSD/CF
IP65(10 mm bezel)	RAM : SODIMM DDR3
Chassis	OS : Windows 10 IoT Enterprise
Touch : 5-Wires Resistive(Optional)	Windows XP Embedded
Anti-Reflective Protective Glass	Windows 7 Embedded
(A customized housing is needed if you have demands of SAW/IR/IT/SC touch)	Windows 8 Embedded

### Expansion Slot :

- 1 x PCI-E(x16), 2 x Mini PCI-E

### Power Specifications :

- Power Input : 12V DC IN (Lockable Power Jack)
- Power Consumption : 87W(typ.)(Max.backlight & high CPU load)

### Accessories :

- External Power Supply 110~230V AC-in power adapter



SCIGATE AUTOMATION (S) PTE LTD

No.1 Bukit Batok Street 22 #01-01 Singapore 659592  
 Tel: (65) 6561 0488 Fax: (65) 6562 0588  
 Email: sales@scigate.com.sg Web: www.scigate.com.sg

Business Hours: Monday - Friday 8.30am - 6.15pm



Note: All Specifications are subject to change without prior notice!

Revised Date:06/17/2016