

## GC65 Display

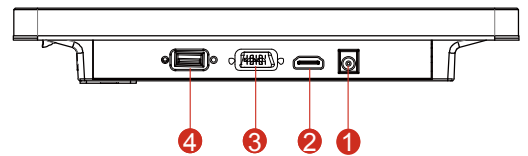


### 10.4"

#### Specifications

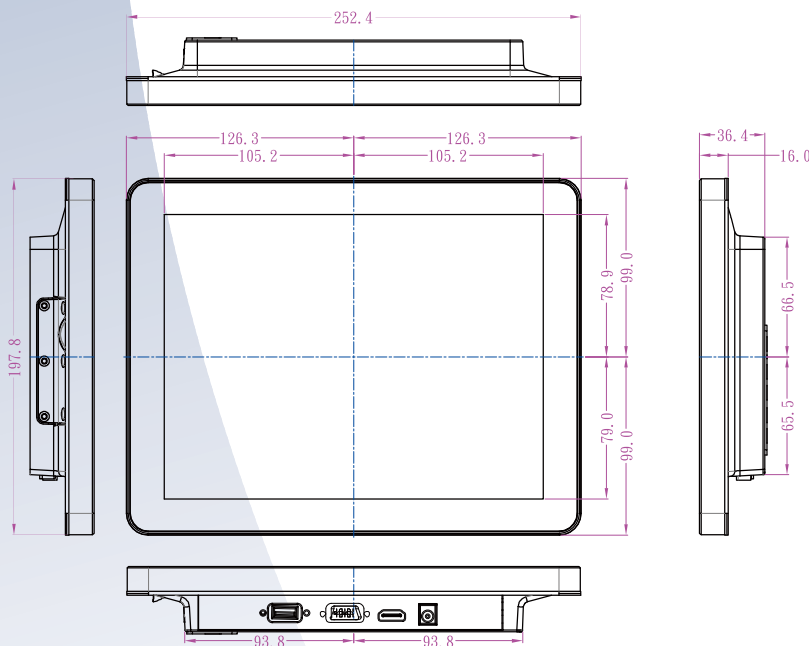


|                                |  |
|--------------------------------|--|
| Model Name                     | R10L100-GCT2(HB)   |
| Resolutions                    | 10.4"  |
| Active Display Area(mm)        | 1024x768   |
| Brightness(cd/m <sup>2</sup> ) | 350 cd/m <sup>2</sup> (typ.)   |
| Contrast Ratio                 | 0.21525 (V)  |
| Viewing Angle                  | 1200 : 1 (typ.)  |
| Active Display Area(mm)        | 210.4(H) x 157.8 (V)   |
| Pixel Pitch(mm)                | 0.2055 (H) x 0.2055 (V)  |
| Touch                          | Projected Capacitive Touch   |
| Power Source                   | 12V DC with External AC to DC Adapter (100~240V AC), Optional 9-36V DC |
| Power Consumption              | 15 W typical, normal operation   |
| Operating Temperature          | -15 °C to 55 °C  |
| Operating Humidity             | 10% to 95% (non-condensing)  |
| IP Rating                      | Front IP65   |
| Input Ports                    | 1 x 12V DC, 1 x VGA, 1 x HDMI, 1 x Touch(USB)                          |
| USB Port (Touch)               | 1 x USB 2.0  |
| Mounting                       | VESA Mount (100x100mm)   |
| Dimensions (W x H x D)         | 296.2 x 226.7 x 45.5 (mm)  |
| Accessory                      | Vesa Mounting Arm / Table Stand Mount                                  |
| Certifications & Standards     | CE, FCC  |

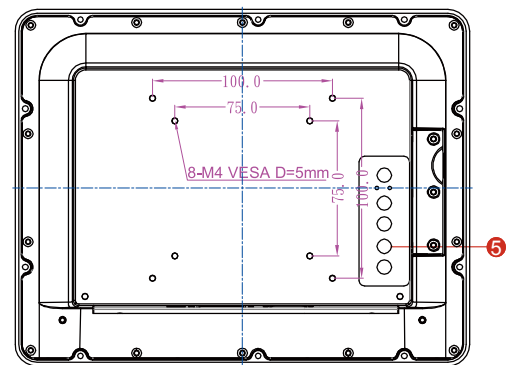


1. OSD Control Panel
2. HDMI
3. VGA
4. Touch(USB)
5. 12V DC in (Optional 9-36V DC)

#### Mechanical Drawing



**SCIGATE AUTOMATION (S) PTE LTD**  
 No.1 Bukit Batok Street 22 #01-01 Singapore 659592  
 Tel: (65) 6561 0488 Fax: (65) 6562 0588  
 Email: sales@scigate.com.sg Web: www.scigate.com.sg  
 Business Hours: Monday - Friday 8.30am - 6.15pm



UNIT:mm