

# G-WIN<sup>®</sup> Military LCD Display

ruggedized

Model Number : R10L100-MLT2



Optional for Mounting Bracket

**SCIENCE GATE**  
Your Automation Partner



**SCIGATE AUTOMATION (S) PTE LTD**

No.1 Bukit Batok Street 22 #01-01 Singapore 659592  
Tel: (65) 6561 0488 Fax: (65) 6562 0588  
Email: sales@scigate.com.sg Web: www.scigate.com.sg

Business Hours: Monday - Friday 8.30am - 6.15pm

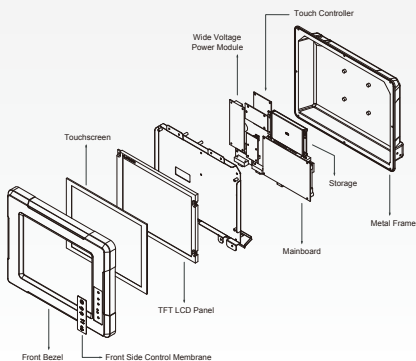


FRONT VIEW



BOTTOM VIEW

**Modularized Construction**



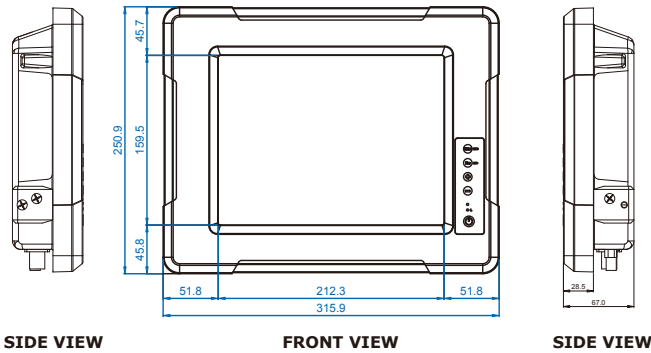
**Features :**

- High Quality 10.4" XGA Panel, 1024x768 resolution
- Full IP65 Dust/Water Proof Enclosures (Except I/O parts)
- Aluminum Housing with Anti-Corrosion Treatments
- Anti-Shock and Vibration Standard according to MIL810F/G & IEC60068-2-27
- 5 Wire Resistive Touch / Anti-Reflective Protection Glass (Optional)
- Wide Range 9 to 36V DC Input Acceptable (Optional)

# G-WIN<sup>®</sup> Military LCD Display

ruggedized

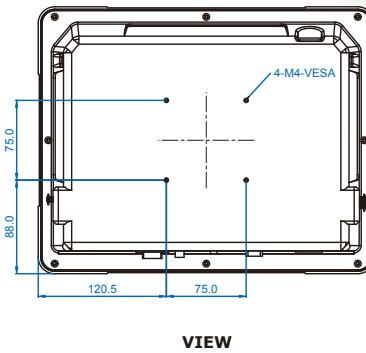
Model Number : R10L100-MLT2



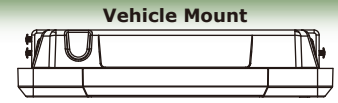
SIDE VIEW

FRONT VIEW

SIDE VIEW

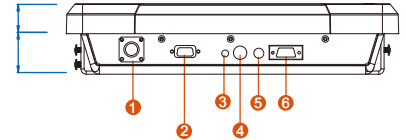


VIEW

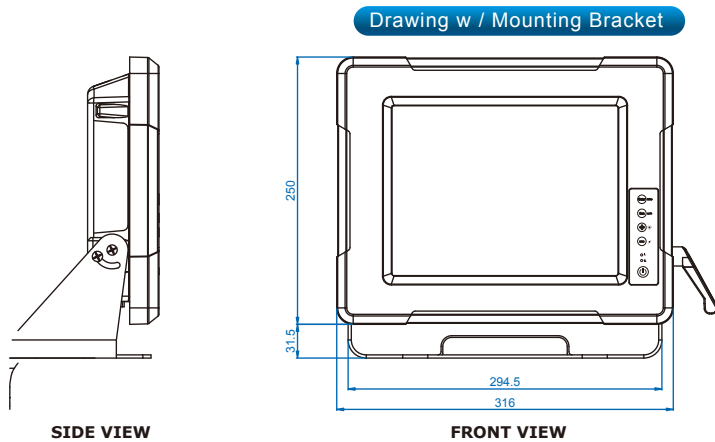


Vehicle Mount

TOP VIEW



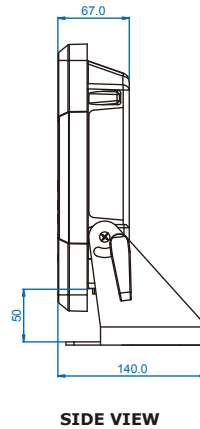
1. Military Grade Lockable (MS27467T9F98S) Power Connector
2. RS232 for Touch (Optional for touch)
3. Line out (Optional)
4. S-Video (Optional)
5. Composite (Optional)
6. VGA



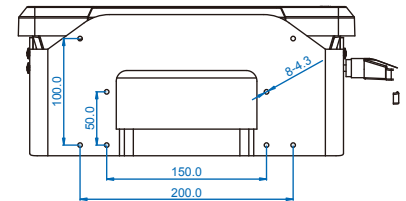
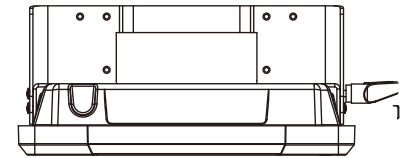
Drawing w / Mounting Bracket

SIDE VIEW

FRONT VIEW



SIDE VIEW



REAR VIEW

Measurements shown in mm / All Dimensions are  $\pm 0.5$  mm

\* Note: this is a simplified drawing and some components are not marked in detail. Please contact our sales representative if you need further product information.

## Display Characteristics

Pixel Number	: 1024 x 768
Pixel Pitch (mm)	: 0.0685 (H) x 0.2055 (V) mm
Contrast Ratio	: 1200 : 1(typ.)
Brightness	: 350 cd/m <sup>2</sup> (typ.)
Viewable Angle(CR>=10)	: -88~88 (H); -88~88 (V)
Active Display Area	: 210.4(H) x 157.8(V) mm
Max Colors	: 16.2M
Touch (Optional)	: 5 Wire Resistive

## I/O Connectors

Back Panel I/O Port	: 1 x VGA(DB-15)
	: Military Grade Lockable (MS27467T9F98S) Power Connector
	: 1x RS232 for Touch Screen(Optional w/ touch)

## In Front Control

Control Button	: Menu / Enter Button
	: Auto-adjust / Esc Button
	: Brightness Up / Increase Button
	: Brightness Down / Decrease Button
	: Display Power Button
LED indicator	: Power On/ Off
	: Display Sleep

## Mechanical and Environment

Dimensions (W x L x H)	: 315 mm x 250 mm x 67mm
Power Input	: 12V DC / MIL-grade connector
Power Consumption	: 22W typ.
Operating Temperature	: -10 deg.C to 55 deg.C
Operating Humidity	: 10% to 95% (non condensing)
Mounting	: VESA mount, Vehicle mount
Shock	: Operating: 30g for 18ms, 300m/s <sup>2</sup>
Vibration	: Operating: 1.60/1.96/2.18 g rms for XYZ / 5-500Hz

## Product Optional Items

Mounting Bracket and Kits	One robust bracket with locking handle (Can adjust from -5deg. to 90deg.)
Video Input	Composite Video, S-Video for optional
Audio	Audio Line in for optional
Sunlight Readable	Transflective film enhancement for optional
Anti-reflective Glass	3mm Anti-reflective Protection Glass
Wide Power Input Range	9V to 36V wide range acceptable for optional
Terminal Block	Pluggable 3pin terminal block power input

## Environmental(MIL-STD 810F/G Compliance)

Vibration	MIL-STD-810F/G Method 514.5
Humidity	MIL-STD-810F/G Method 507.4
Transit Drop	MIL-STD-810F/G Method 516.5
High Temperature	Storage:MIL-STD-810F/G Method501.4 Operation:MIL-STD-810F/G Method501.4
Low Temperature	Storage:MIL-STD-810F/G Method502.4 Operation:MIL-STD-810F/G Method502.4

## Environmental(MIL-STD 461E/F Compliance)

RE	RE 101 / RE 102
CE	CE 101 / CE 102
Optional with EMI Glass / Touch	
CS	RS101 / RS103
CS	CS 101 / CS 106 / CS 109 / CS 114 CS 115 / CS 116

\* If you require external test report, Winmate will charge NRE fee.