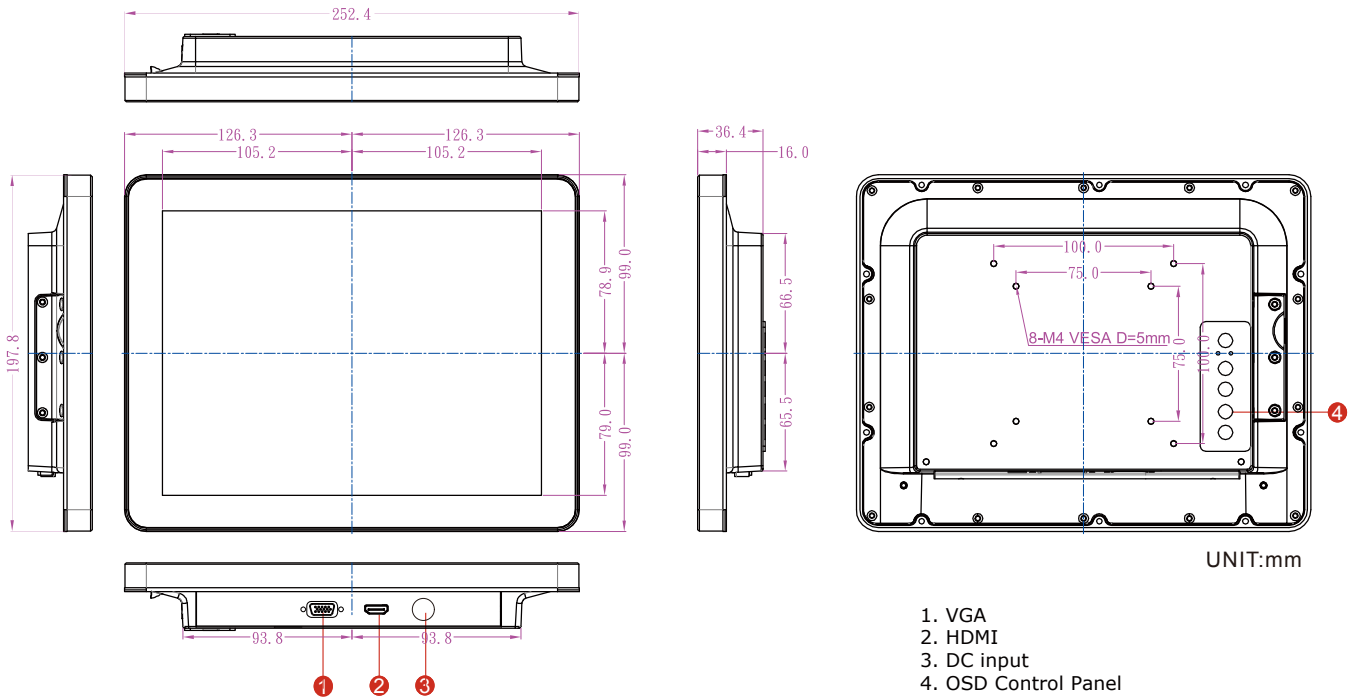


# 10.4" P-Cap Chassis Display - R10L100-PCT2

## Features

- 10.4" 1024 x 768 Resolution
- Projected Capacitive Multi-Touch (P-Cap)
- Front IP65 Water and Dust Proof
- VGA input and variety of optional connectors
- USB port for touch
- Stylish and elegant design



\* Note: The mechanical drawing may change when adding touch screen. Please contact our sales representative if you need further product information.

## Specifications

### Display

- Panel Size : 10.4"
- Active Display Area(mm) : 210.4(H)x157.8(V)
- Resolution : 1024 x 768
- Brightness(cd/m2) : 350(Typical)
- Contrast Ratio : 1200:1 (Typical)
- Viewing Angles(CR>=10 L/R/U/D) : -88~88(H) ; -88~88(V)
- Display Colors : 16.2M (6 bits/color)
- Standard Input Signal : 1 x VGA (D-sub 15)  
1 x HDMI (Type-A)"

### Power Considerations

- Power Input : 12V DC input (2.5ψ)  
with external AC-DC Adapter (100V~240V)
- Power Consumption : 10W typical , Normal operation

### Environment

- Operating temperature : 0~50°C
- Storage Temperature : -10~60°C

### Output

- Touch Screen : Projected Capacitive
- Touch Interface : USB
- Audio / Speakers (Optional)\* : Audio line in (3.5mm) + Speaker x2
- OSD : 5 Keys: - , + , Power , Esc , Enter

### Accessories

- Accessories : Power AC-DC Adapter(100V~240V)  
: VGA cable (1.8m)  
: HDMI cable (2m)

\*Outside dimension and I/O will be different from standard

### I/O Optional

Optional 1*	1 x VGA (D-sub 15) 1 x HDMI (Type-A) 1 x DVI-D
Optional 2*	1 x VGA (D-sub 15) 1 x DVI-D 1 x S-Video 1 x Composite



**SCIGATE AUTOMATION (S) PTE LTD**  
 No.1 Bukit Batok Street 22 #01-01 Singapore 659592  
 Tel: (65) 6561 0488 Fax: (65) 6562 0588  
 Email: sales@scigate.com.sg Web: www.scigate.com.sg  
 Business Hours: Monday - Friday 8.30am - 6.15pm

