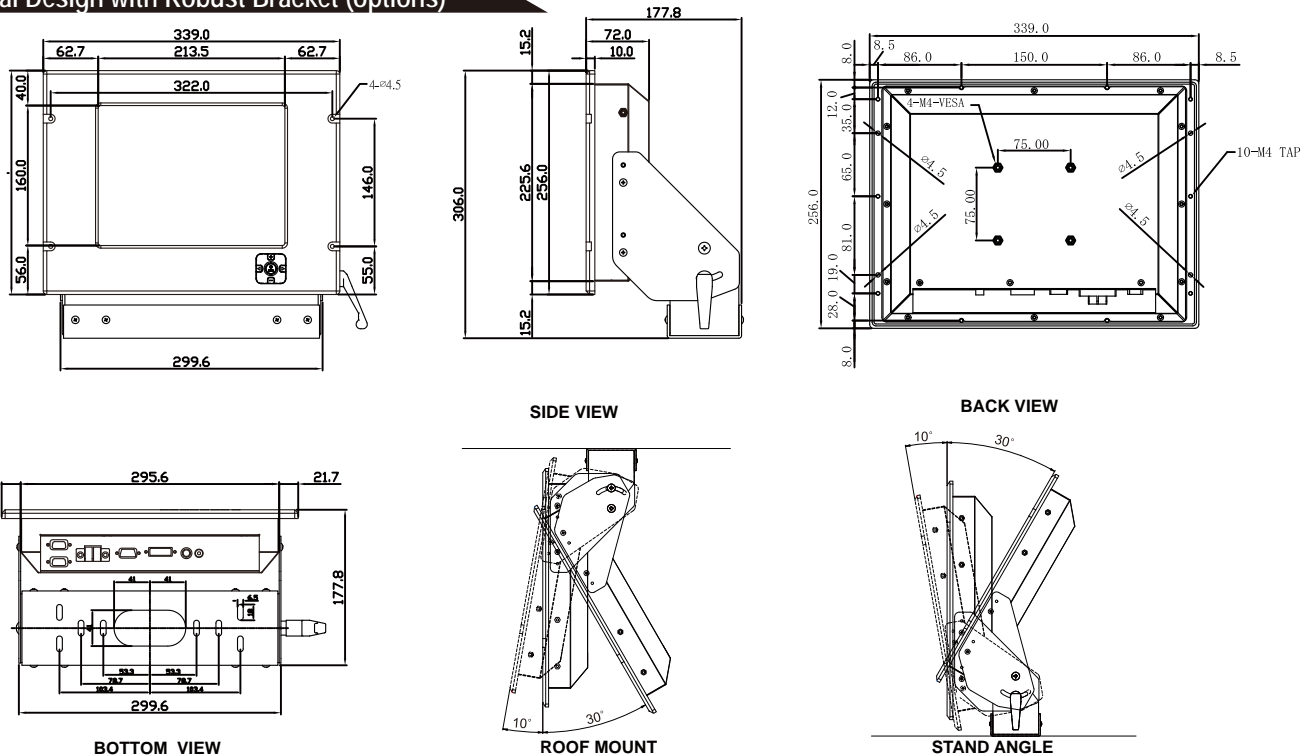


10.4"

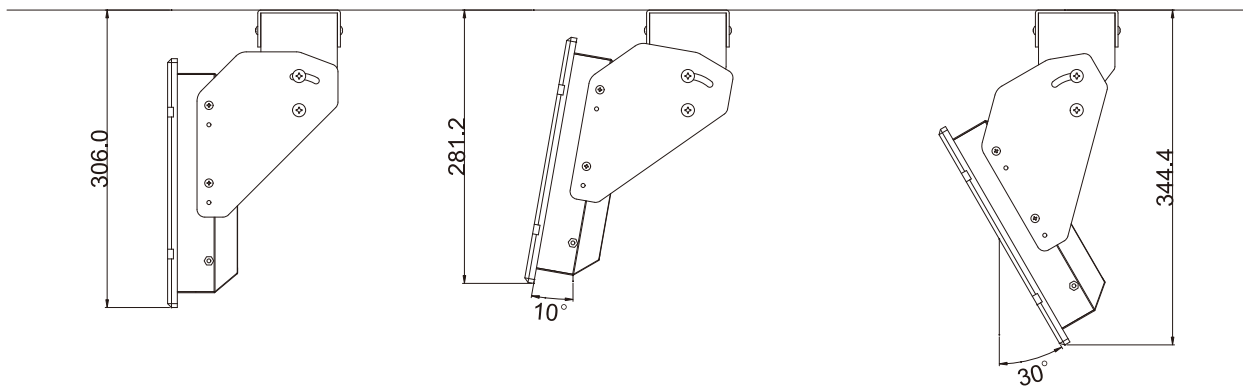
Marine Bridge System Display

Model # R10L210-MRM2

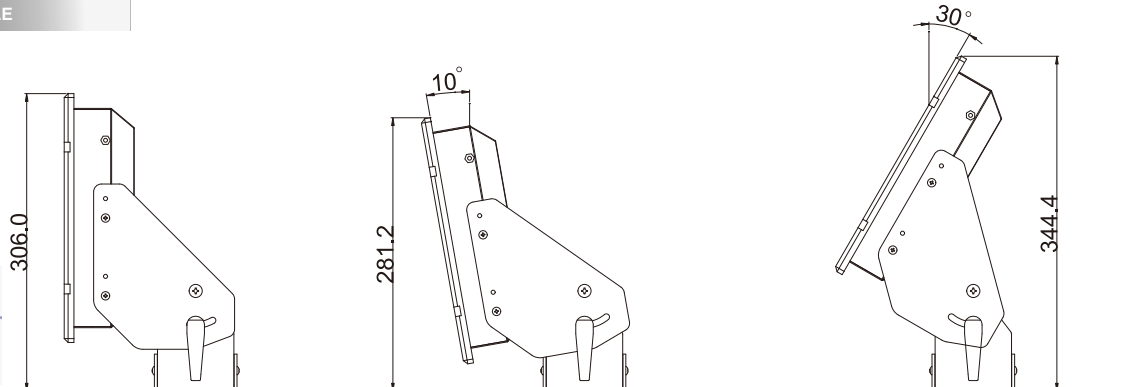
Mechanical Design with Robust Bracket (options)



ROOF MOUNT



STAND ANGLE



SCIGATE
Your Automation Partner

SCIGATE AUTOMATION (S) PTE LTD
No. 1 Bukit Batok Street 22 #01-01 Singapore 659592
Tel: (65) 6561 0488 Fax: (65) 6562 0588
Email: sales@scigate.com.sg Web: www.scigate.com.sg
Business Hours: Monday - Friday 8.30am - 6.15pm

All Dimensions are ± 0.5 mm

* Note: this is a simplified drawing and some components are not marked in detail. Please contact our sales representative if you need further product information.

* Extra charge is required for back covers with bracket holes for products purchased before end of Nov. 08'

Certification and Approvals : CE,FCC,IEC60945,DNV2.4,IACS-E10

