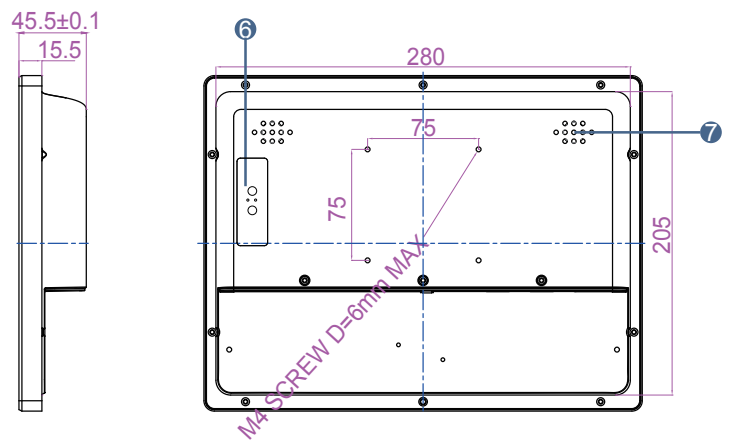
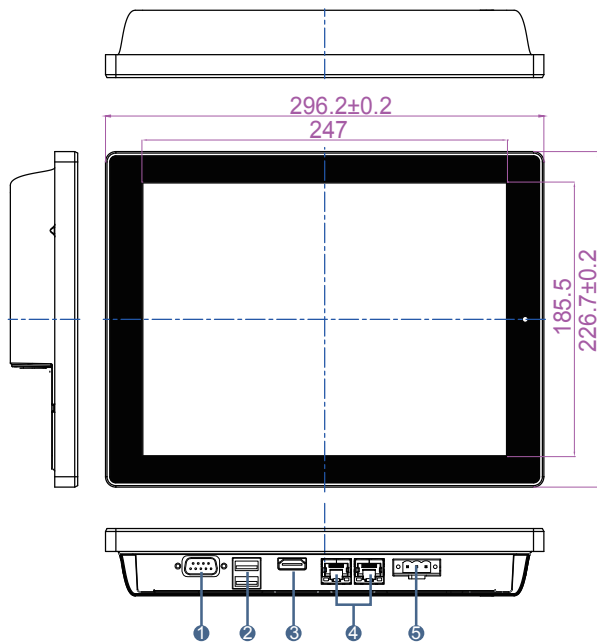


# 12.1" GC65 Panel PC (Standard I/O) -R12IB3S-GCM2(HB)

## Features

- 12.1" 1024 x 768 with P-CAP touchscreen
- Low power consumption with Intel® Celeron® N2930
- Fanless cooling system and ultra low power consumption
- Front IP65 for protection against water and dust
- A true flat, easy-to-clean front surface with edge-to-edge design
- Plenty of I/O, including 2 x LAN, 1 x COM, 1 x USB 3.0, 1 x USB 2.0, 1 x HDMI



1. RS232/422/485(default RS232)
2. 1 x USB 3.0, 1 x USB 2.0
3. . HDMI
4. 2 x RJ45
5. 12V DC in (Optional 9-36V DC)
6. OSD Control Panel
7. 2 Watt Speaker

## Specifications

### System

- Processor : Intel® Celeron® Bay Trail-M N2930 1.83GHz
- System Memory : 2GB DDR3L-1600 SODIMM max 8GB
- Storage : mSATA 64GB SSD

### Input / Output

- Serial Ports : 1 x RS-232/422/485
- USB Ports : 1 x USB 3.0, 1 x USB 2.0
- Ethernet : 1 x RJ 45-10/100/1000 Mbps
- Speaker : 1 x 2 Watt speaker
- HDMI : 1 x HDMI 1.4a

### Environment

- Operating Temperature : -15 °C to 55 °C
- Operating Humidity : 10% to 95% (non-condensing)
- IP Rating : Front IP65
- Shock Operating : 30g for 18ms, 300m/s2
- Vibration Operating : 1.60/1.96/2.18 g rms for XY/Z/ 5-500Hz

### Power Considerations

- Power Input : 12V DC in (Optional 9-36V DC)

### Display

- Size/Type : 12.1" TFT (widescreen)
- Resolution : 1024 x 768
- Brightness : 500 cd/m (typ.)
- Contrast Ratio : 700:1 (typ.)
- Viewing Angle : -80~80 (H);-70~70 (V)
- Max Colors : 16.2M
- Active Display Area : 245.76 (H) x 184.32 (V)

### Mechanical Specification

- Cooling System : Fanless design
- Mounting : VESA Mount (75x75mm), Panel Mount
- Dimensions (W x H x D) : 296.2 x 226.7 x 45.5 (mm)

### Operating System

- Windows 10 IoT Enterprise
- Windows Embedded 8.1 Industry Pro
- Windows Embedded Standard 7



**SCIGATE AUTOMATION (S) PTE LTD**  
 No.1 Bukit Batok Street 22 #01-01 Singapore 659592  
 Tel: (65) 6561 0488 Fax: (65) 6562 0588  
 Email: sales@scigate.com.sg Web: www.scigate.com.sg  
 Business Hours: Monday - Friday 8.30am - 6.15pm

