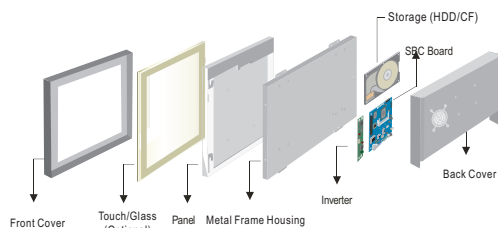


R12ID7T-CHL1 12.1" Panel PC (Intel® Atom Dual Core D2550 + Nm10 Platform)

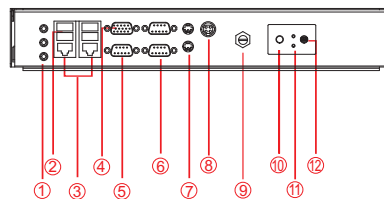
Mechanical Design



Chassis



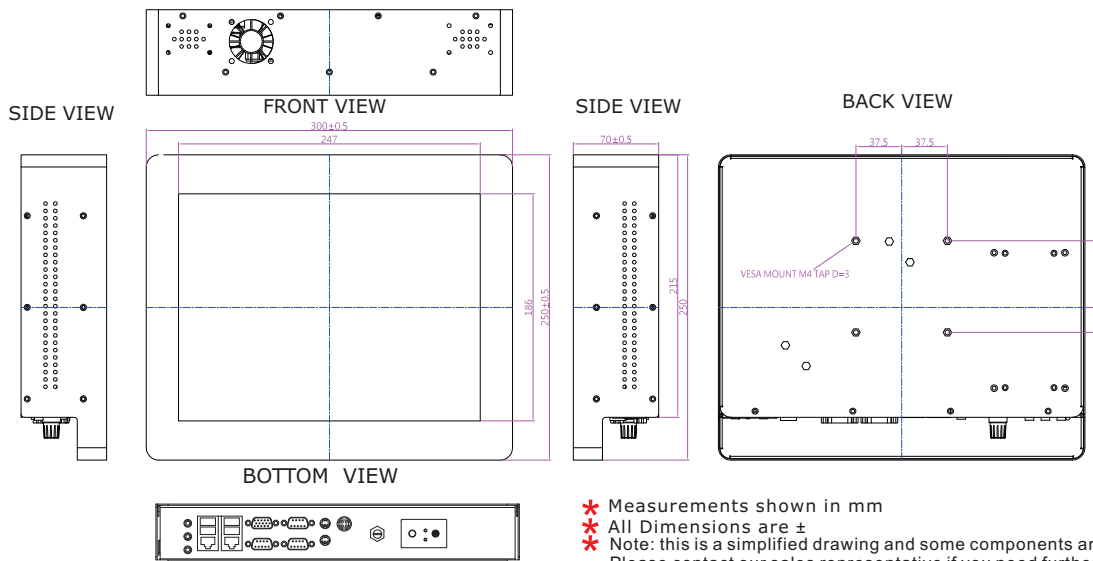
Mechanical design



1. Audio Jack
2. USB
3. RJ-45
4. VGA Out
5. RS-232/422/485 Conn.
6. RS-232 Conn.
7. PS/2
8. DC IN Power Jack
9. Brightness Adjustment Knob
10. Power / HDD LED
11. Power On Button
12. Power Reset Button

Fully Integrated I/O

Dimensions



- * Measurements shown in mm
- * All Dimensions are ±
- * Note: this is a simplified drawing and some components are not marked in detail. Please contact our sales representative if you need further product information.

Specifications

System :

- CPU : Intel® Atom Dual Core D2550 1.86GHz Processor
- Memory Slot : DDR3 1066 MHz SO-DIMM Slot, Max. 4GB
- System Chipset : NM10
- IDE/SATA : 2 x SATA
- LAN : Dual Broadcom BCM57780 GbE controller
- Audio Codec : Realtek ALC886 HD Audio Codec

Panel Spec :

- Size/Type : 12.1" TFT
- Resolutions : 800 x 600
- Brightness : 450 cd/m² (typ.)
- Contrast Ratio : 700 : 1 (typ.)
- Viewing Angle : -80~80(H); -75~65(V)
- Max. Colors : 16.2M

Input / Output :

- Serial Ports : 2 x RS232, 1 x RS232/422/485
- USB Ports : 4 x USB Type-A Receptacle
- Keyboard / Mouse : 2 x PS/2
- Ethernet : 2 x RJ45-10/100/1000 Mbps
- VGA : 1 x VGA (female)
- Audio : Line-out, Line-in, Mic in

• Default setting: RS232

Environment Considerations :

- Operating Temperature : 0°C to 50°C
- Operating Humidity : 30% to 90% (non condensing)

Expansion Slot :

- 2 x Mini PCIe (1 for WiFi, 1 for 3G Module), 1 x PCI
- * A customized housing is needed if you would like to have the PCI expansion.

Power Specifications :

- Power Input : 12V DC IN (Lockable Power Jack)
- Power Consumption : 30W (typ.)(Max.backlight & high CPU load)

Accessories :

- External Adapter : 110~230V Ac-in power adapter

Order Options :

| | |
|--|--|
| Mechanical : Open Frame Panel Mount (5mm bezel) IP65 (10mm bezel) Chassis | RAM : SODIMM DDR3 800/1066 |
| Touch : 4 Wires Resistive(Optional) | OS : Windows 7 embedded / Windows XP embedded (Optional) |



SCIGATE AUTOMATION (S) PTE LTD
 No.1 Bukit Batok Street 22 #01-01 Singapore 659592
 Tel: (65) 6561 0488 Fax: (65) 6562 0588
 Email: sales@scigate.com.sg Web: www.scigate.com.sg
 Business Hours: Monday - Friday 8.30am - 6.15pm

