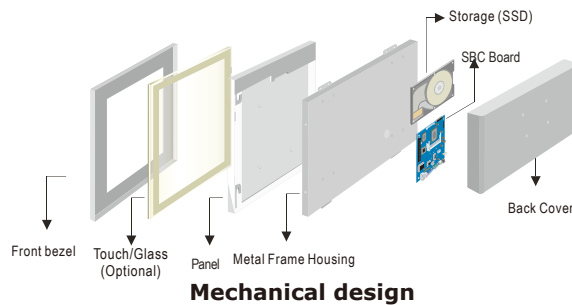


# R12ID7T-IPM2WT 12.1" Panel PC (Intel® Atom Dual Core N2800+NM10 Platform)

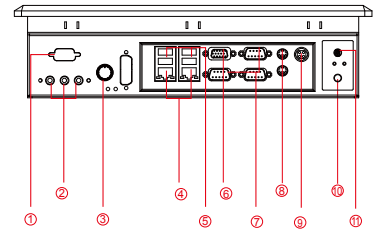
Mechanical Design



IP65(6mm front bezel)



Mechanical design



1. RS-232 Conn. (Optional)
2. Audio Jack
3. Brightness Adjustment Knob
4. RJ-45
5. USB
6. VGA Out
7. RS-232 Conn.
8. PS/2
9. DC-IN Lockable Power Jack
10. Power On Button
11. Power Reset Button

## Fully Integrated I/O

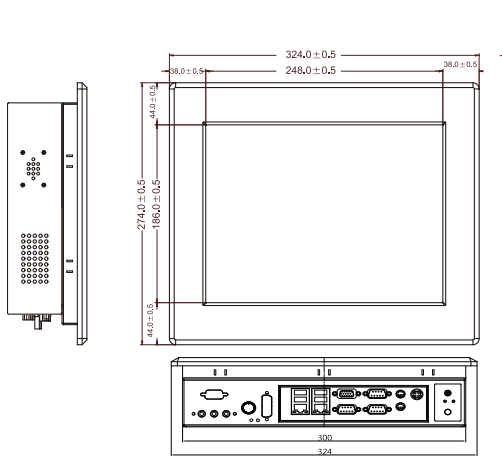
## Dimensions

FRONT VIEW

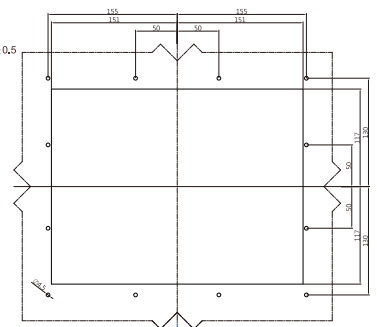
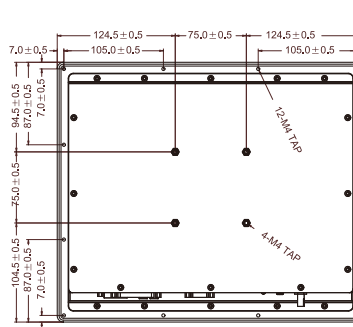
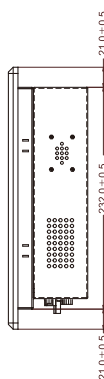
SIDE VIEW

BACK VIEW

IP65 CUT OUT



BOTTOM VIEW



- \* Measurements shown in mm
- \* All Dimensions are  $\pm 0.5$  mm
- \* Note: this is a simplified drawing and some components are not marked in detail. Please contact our sales representative if you need further product information.

## Specifications

### System :

- CPU : Intel® Atom Dual-core N2800 1.86GHz
- Memory Slot : 1 x SODIMM, Max 4GB DDR3 800/1066
- System Chipset : Intel® NM10
- IDE/SATA : 2 x SATA
- LAN : Dual Broadcom BCM57780 GbE controller
- Audio Codec : Realtek ALC886 HD Audio Codec
- Storage : mSATA SSD 32GB (Default)

### Input / Output :

- Serial Ports : 2 x RS232, 1 x RS232/422/485
- USB Ports : 4 x USB Type-A Receptacle
- Keyboard / Mouse : 2 x PS/2
- Ethernet : 2 x RJ45-10/100/1000 Mbps
- VGA : 1 x VGA (female)
- Audio : Line-out, Line-in, Mic in

• Default setting: RS232

### Expansion Slot :

- 1 x Mini PCIe slot (for wireless module)
- 1 x Mini PCIe slot (for 3G module)

### Environment Considerations :

- Operating Temperature : -20 deg.C to 60deg.C
- Operating Humidity : 30% to 90% (non condensing)

### Panel Spec :

- Size/Type : 12.1" TFT
- Resolutions : 1024x768
- Brightness : 500cd/m (typ.)
- Contrast Ratio : 700 : 1 (typ.)
- Viewing Angle : -80~80(H); -70~70(V)
- Max. Colors : 16.2M / 262K colors

### Power Specifications :

- Power Input : 12V DC-IN Power input
- Power Consumption : 36W (typ.) (Max. backlight & high CPU load)

### Accessories :

- External Power Supply 80W Adapter w/power cord

### Order Options :

- Touch : 5 Wires Resistive (Optional)
- RAM : SODIMM DDR3 1066
- OS : Windows 7 embedded / Windows XP embedded (Optional)



## SCIGATE AUTOMATION (S) PTE LTD

No.1 Bukit Batok Street 22 #01-01 Singapore 659592  
 Tel: (65) 6561 0488 Fax: (65) 6562 0588  
 Email: sales@scigate.com.sg Web: www.scigate.com.sg  
 Business Hours: Monday - Friday 8.30am - 6.15pm

