

# R12ID7T-OFL1PS 12.1" Panel PC (Intel® Atom Dual Core D2550)

## Mechanical Design



Open Frame



PCI Input

106.68 mm

175.26 mm

### Feature :

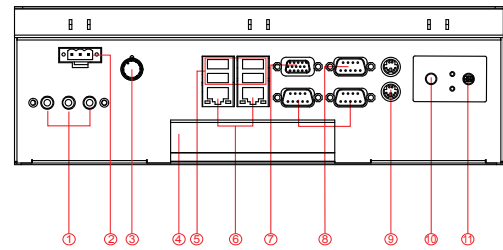
- Designed for one PCI Slot
- No convex part on IO side edge
- Only Support half-size PCI Card  
15.24 x 175.26 x 106.68 mm



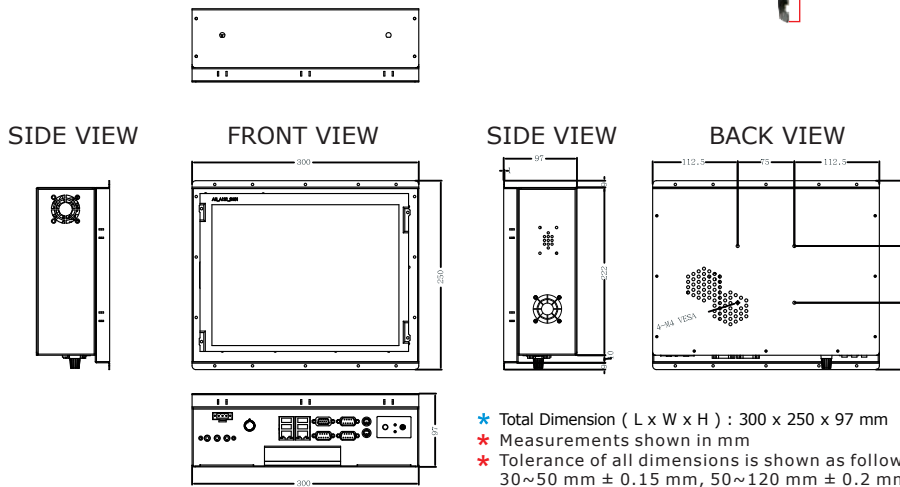
**SCIGATE AUTOMATION (S) PTE LTD**

No.1 Bukit Batok Street 22 #01-01 Singapore 659592  
Tel: (65) 6561 0488 Fax: (65) 6562 0588  
Email: sales@scigate.com.sg Web: www.scigate.com.sg  
Business Hours: Monday - Friday 8.30am - 6.15pm

### Fully Integrated I/O



- |  |                        |
|--|------------------------|
| 1. Audio Jack                              | 6. LAN                 |
| 2. 12V DC-in Terminal Block (Phoenix type) | 7. VGA Out             |
| 3. Brightness Adjustment Knob              | 8. RS-232 Conn.        |
| 4. PCI Card Slot                           | 9. PS/2                |
| 5. USB                                     | 10. Power On Button    |
|  | 11. Power Reset Button |



BOTTOM VIEW

- \* Total Dimension ( L x W x H ) : 300 x 250 x 97 mm
- \* Measurements shown in mm
- \* Tolerance of all dimensions is shown as follow 0~30 mm ± 0.1 mm, 30~50 mm ± 0.15 mm, 50~120 mm ± 0.2 mm, above 120 mm ± 0.25 mm
- \* Note: this is a simplified drawing and some components are not marked in detail. Please contact our sales representative if you need further product information.

## Specifications

### System :

- CPU : Intel® Atom Dual Core D2550 1.86 GHz
- Memory : 1 x SODIMM Max 4GB DDR3 800/1066
- System Chipset : Intel® NM10
- SATA : 2 x SATA II
- LAN : Dual Broadcom BCM 57780 GbE controller
- Audio Codec : Realtek ACC886 HD Audio Codec

### Panel Spec :

- Size/Type : 12.1" TFT
- Resolutions : 800 x 600
- Brightness : 450 cd/m<sup>2</sup> (typ.)
- Contrast Ratio : 700 : 1 (typ.)
- Viewing Angles : -80~80(H); -75~65(V)
- Max Colors : 16.2M

### Input / Output :

- Serial Ports : 2 x RS232, 1 x RS232/422/485
- USB Ports : 4 x USB
- Keyboard / Mouse : 2 x PS/2
- Ethernet : 2XRJ45-10/100/1000Mbs
- VGA : 1 x VGA (female)
- Audio : Line-Out, Line-In, Mic in

• Default setting: RS232

### Environment Considerations :

- Operating Temperature : 0°C to 50°C
- Operating Humidity : 30% to 90% (non condensing)

### OS BSP / Driver Support :

- Support Windows 7 / Windows XP Embedded / Windows XPP Embedded / Linux 3.2.0

### Expansion Slot :

- 1 x PCI (15.24 x 175.26 x 106.68 mm)  
\* A customized housing is needed if you would like to have the PCI expansion.

### Power Specifications :

- Power Input : Terminal block Phoenix type / 12V DC-in
- Power Consumption : 33W (typ.)(Max. backlight & high CPU load)

### Accessories :

- External Power Supply 80W w/power cord

### Order Options :

Mechanical : Panel Mount / IP65  
Touch : Resistive

Storage : 2.5" HDD/ 2.5" SSD/ CF  
RAM : DDR3 800/1066  
Max 4GB  
OS : Windows XPE (Optional)  
Windows XPPE (Optional)  
Windows 7 (Optional)  
Linux (Optional)

(A customized housing is needed if you have demands of IR touch)

