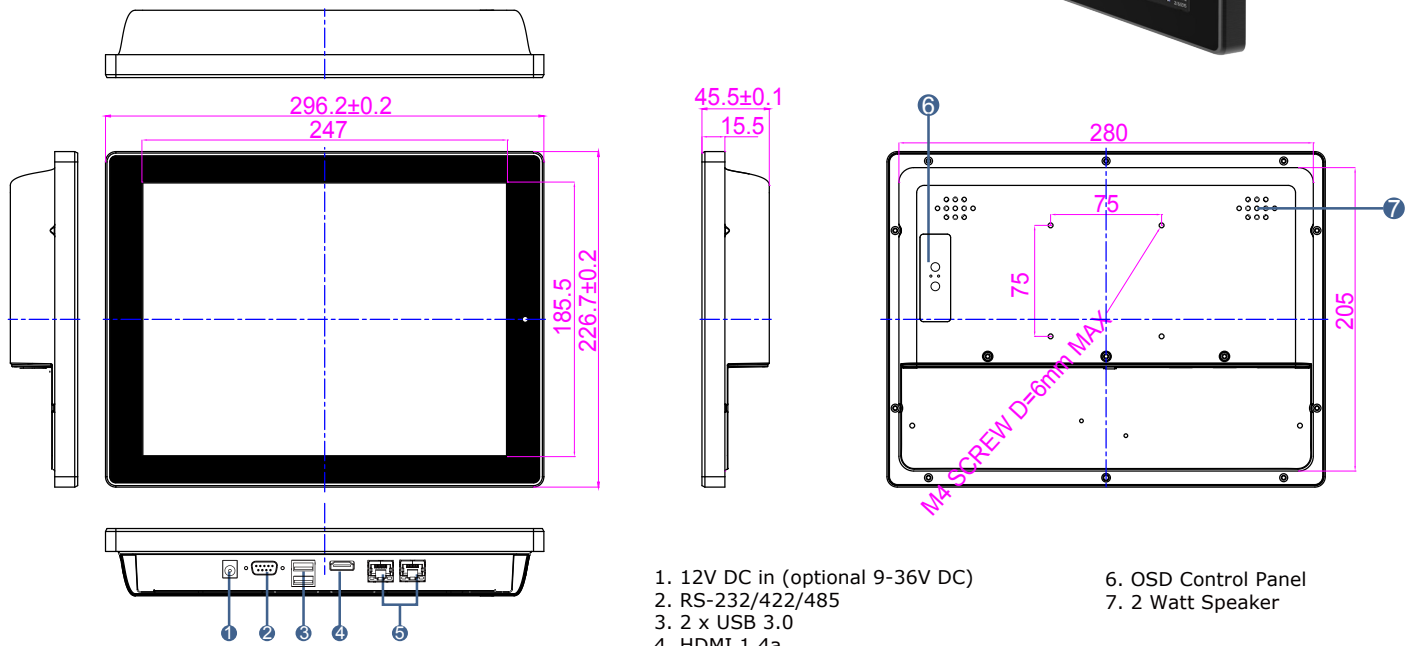


12.1" GC65 Panel PC (Standard I/O) -R12IH3S-GCM2(HB)

Features

- 12.1" 1024 x 768 with P-CAP touchscreen
- High computing performance with Intel® Core i5-5200U
- Fanless cooling system and ultra-low power consumption
- Front IP65 for protection against water and dust
- A true flat, easy-to-clean front surface with edge-to-edge design
- Plenty of I/O, including 2 x LAN, 1 x COM, 2 x USB 3.0, 1 x HDMI



1. 12V DC in (optional 9-36V DC)
2. RS-232/422/485
3. 2 x USB 3.0
4. HDMI 1.4a
5. 2 x RJ-45

6. OSD Control Panel
7. 2 Watt Speaker

Specifications

System

- Processor : Intel® Core i5-5200U Broadwell 2.2GHz
- System Chipset : Intel® QM87
- System Memory : 2GB DDR3L-1600 SO-DIMM
- Storage : 64GB mSATA SSD
- LAN : Intel® Ethernet Controller I211-AT + Intel® Gigabit Ethernet PHY I218-LM

Input / Output

- Serial Ports : 1 x RS-232/422/485
- USB Ports : 2 x USB 3.0
- Ethernet : 2 x RJ 45-10/100/1000 Mbps
- Speaker : 2 Watt Speaker
- HDMI : 1 x HDMI 1.4a

Environment

- Operating Temperature : -15 °C to 55 °C
- Operating Humidity : 10% to 95% (non-condensing)
- IP Rating : Front IP65
- Shock Operating : 30g for 18ms, 300m/s²
- Vibration Operating : 1.60/1.96/2.18 g rms for XYZ/ 5-500Hz

Display

- Size/Type : 12.1" TFT
- Resolution : 1024 x 768
- Brightness : 500 cd/m (typ.)
- Contrast Ratio : 700:1 (typ.)
- Viewing Angle : -80~80 (H); -70~70 (V)
- Max Colors : 16.2M

Mechanical Specification

- Cooling System : Fanless design
- Mounting : VESA Mount (75x75mm), Panel Mount
- Dimensions (W x H x D) : 296.2 x 226.7 x 45.5 (mm)

Operating System

- Windows 10 IoT Enterprise
- Windows Embedded 8.1 Industry Pro
- Windows Embedded Standard 7

Power Considerations

- Power Input : 12V DC in (Optional 9-36V DC)



SCIGATE AUTOMATION (S) PTE LTD

No.1 Bukit Batok Street 22 #01-01 Singapore 659592
 Tel: (65) 6561 0488 Fax: (65) 6562 0588
 Email: sales@scigate.com.sg Web: www.scigate.com.sg

Business Hours: Monday - Friday 8.30am - 6.15pm



14-Nov-2017 V1.3

Note: All Specifications are subject to change without prior notice!