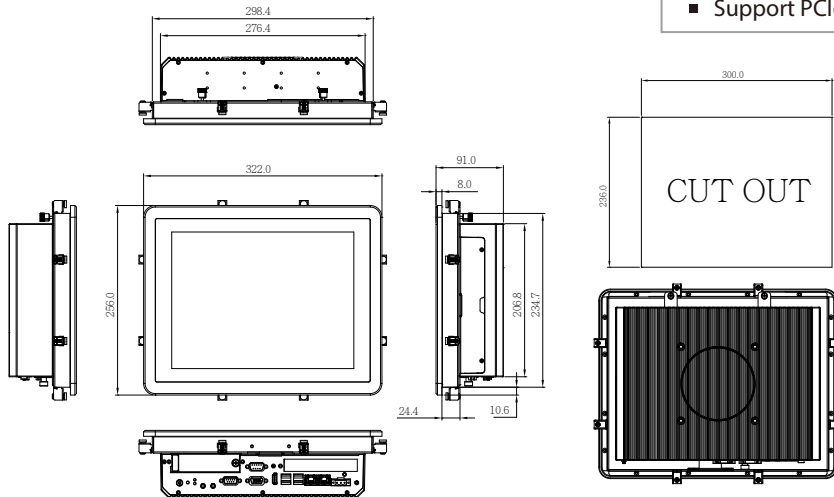


# Winmate M-Series HMI Panel PC

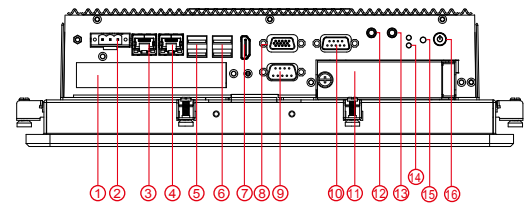
12" M-Series HMI with Intel® Core™ i5-5200U

R12IHWS-MHM2



## Features:

- Signature true flat display screen with edge to edge design
- Aluminum, anti-corrosion treated housing
- Superior Sealing with front IP65 protection against dust and water
- Projected Capacitive Multi Touch Screen
- Fanless Design
- Support wide range 12-24V isolation DC input
- Two Quick & Easy Removable 2.5" SSD Bay Slots
- Support PCIe x 4 Card



- |  |                      |
|--|----------------------|
| 1. PCIe Slot cover for PCIe x 4<br>(1 x Half-Length PCIe card) | 9. COM2              |
| 2. 12-24V isolation DC-in                                      | 10. COM1             |
| 3. LAN   | 11. 2.5" SSD Bay x 2 |
| 4. LAN   | 12. Audio out        |
| 5. USB 3.0 x 2   | 13. Audio in         |
| 6. USB 3.0 x 2   | 14. HDD indicators   |
| 7. HDMI output   | 15. Reset            |
| 8. VGA output  | 16. Power Button     |

\* Note: this is a simplified drawing and some components are not marked in detail. Please contact our sales representative if you need further product information.

## System Specification

Processor	: Intel® Core™ i5-5200U 2.2 GHz Processor; 3M Cache up to 2.7 GHz
BIOS	: AMI UEFI BIOS
System Memory	: SODIMM DDR3L-1600 4GB, option up to 8GB (2 slots)
Graphic Chipset	: Intel® HD graphics 5500
Ethernet	: 1000 Base-Tx Gigabit Ethernet Compatible
Audio	: Realtek ALC886 codec
Expansion Slot	: 1 x PCIe x 4
Main Storage	: Default 2.5" 64 GB SSD, optional larger SSD
Second Storage (optional)	: Internal mSATA 64 ~ 256GB SSD
Touch Screen	: Projected Capacitive
Operating system (optional)	: Windows Embedded Standard 7 Windows Embedded 8 Standard Windows 10 IoT Enterprise

## Display Specification

Display Size	: 12"
Active Display Area	: 245.76 (H) x 184.32(V)
Pixel Pitch	: 0.240(H) x 0.240(V)
Display Color	: 262k/16.2M
Resolution	: 1024 x 768
Brightness	: 500 nits
Contrast Ratio	: 700:1 (Typ.)
Viewing Angle	: 80/80/70/70

## Mechanical Specification

Mouting	: Wall Mount / VESA Mount
Dimension	: 322 (L) x 256 (W) x 91 (H)

## Power Supply

Power Input	: 12-24V isolation DC in with protection Fuse
Power Adapter	: 110-240AC to 12V DC out 80W power Adapter

## Environmental Specification

Operation Temperature	: 0~ 50°C
Operating Humidity	: 30%-95% at 40°C (non-condensing, RH)
Water Proof	: Front: IP65; Rear: IP20 / Fanless

## I/O Connectors

I/O Connectors	: 12-24V isolation DC in x 1 (Terminal Block 3pin) Gigabit LAN x 2 USB3.0 x 4 HDMI Output x 1 D-Sub15 (VGA) Output x 1 RS232/422/485 selectable serial port x 1 RS232 isolation serial port x 1 Audio in Jack x 1 Audio out Jack x 1 Reset key x 1 Power Button x 1 2.5" SSD indicators x 2
----------------	--

## Accessories

- Mounting clips & screws
- 12V 80W power adapter
- Power cord
- Driver CD



**SCIGATE AUTOMATION (S) PTE LTD**  
 No.1 Bukit Batok Street 22 #01-01 Singapore 659592  
 Tel: (65) 6561 0488 Fax: (65) 6562 0588  
 Email: sales@scigate.com.sg Web: www.scigate.com.sg  
 Business Hours: Monday - Friday 8.30am - 6.15pm