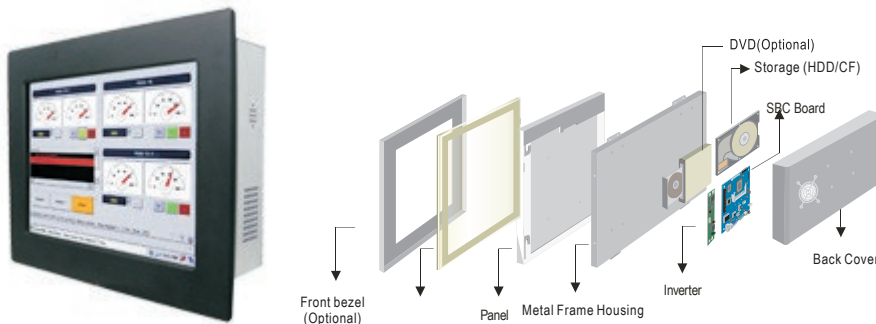


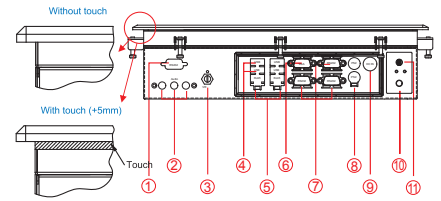
R12IV7T-PML1 12.1" Panel PC (Intel® 3rd Generation Core™ i7 / i5 / i3)

Mechanical Design



Panel Mount (6mm front bezel)

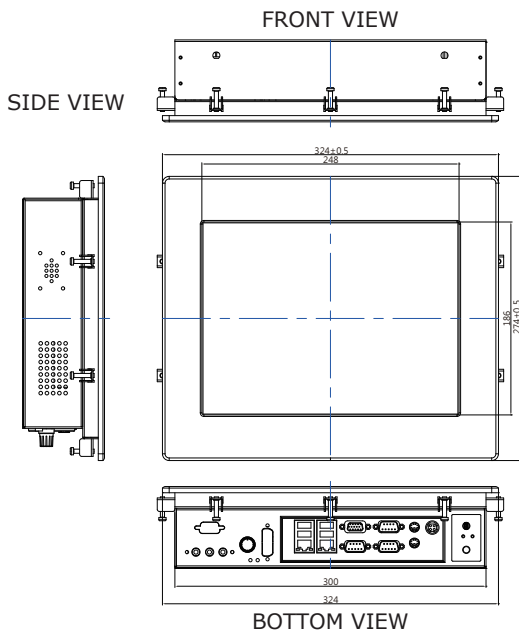
Mechanical design



1. RS-232 Conn.(Optional)
2. Audio Jack
3. Brightness Adjustment Knob
4. USB
5. RJ-45
6. VGA Out
7. RS-232 Conn.
8. PS/2
9. DC IN Power Jack
10. Power On Button
11. Power Reset Button

Fully Integrated I/O

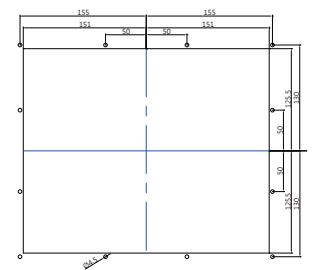
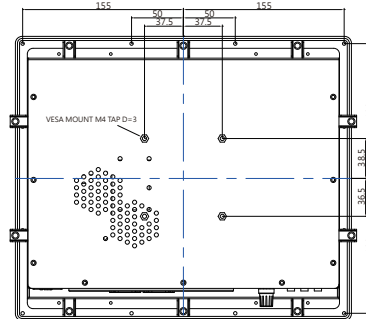
Dimensions



SIDE VIEW

BACK VIEW

IP65 CUT OUT



- * Measurements shown in mm
- * All Dimensions are ± 0.5 mm
- * Note: this is a simplified drawing and some components are not marked in detail. Please contact our sales representative if you need further product information.

Specifications

System :

- CPU : Intel® 3rd Generation Core™ i7/i5/i3
- Memory : 2 x SO-DIMM, Max 16GB DDR3 1333/1600
- System Chipset : Intel® HM76 Chipset
- Storage : 1 x SATAIII, 1 x SATAII, 1 x mSATA
- LAN : Dual Broadcom BCM57780 GbE
- Audio Codec : Realtek ALC886 HD Audio Codec

Panel Spec :

- Size/Type : 12.1" TFT
- Resolutions : 800 x 600
- Brightness : 450 cd/m² (typ.)
- Contrast Ratio : 700 : 1(typ.)
- Viewing Angles : -80~80(H); -75~65(V)
- Max Colors : 16.2M

Input / Output :

- Serial Ports : 2 x RS232, 1 x RS232/422/485
- USB Ports : 4 x USB 3.0 Type-A Receptacle
- Keyboard / Mouse : 2 x PS/2
- Ethernet : 2 x RJ 45-10/100/1000 Mbps
- VGA : 1 x VGA (female)
- Audio : Line-Out, Line-In, Mic in

• Default setting:RS232

Environment Considerations :

- Operating Temperature : 0°C to 50°C
- Operating Humidity : 30% to 90% (non condensing)

OS BSP / Driver Support :

- Support Windows 10 IoT Enterprise / Windows 7 Embedded / Windows XP Embedded / Windows 8 Embedded

Order Options :

Mechanical : Panel Mount(6 mm bezel)	CPU : Check with Sales
Touch : 5-Wires Resistive or AR Glass either one	Storage : 2.5" HDD/SSD/ RAM 4GB/8GB
(A customized housing is needed if you have demands of IR/SC touch)	RAM : SODIMM DDR3 Max 16GB
	OS : Windows 10 IoT Enterprise Windows XP Embedded Windows 7 Embedded Windows 8 Embedded

Expansion Slot :

- 1 x PCI-E(x16), 2 x Mini PCI-E (1 for WIFI, 1 for 3G Module)

Power Specifications :

- Power Input : 12V DC IN (Lockable Power Jack)
- Power Consumption : 53W(typ.)(Max.backlight & high CPU load)

Accessories :

- External Power Supply 110~240V AC-in 12V DC-Output power adapter

Note: All Specifications are subject to change without prior notice!



SCIGATE AUTOMATION (S) PTE LTD
 No. 1 Bukit Batok Street 22 #01-01 Singapore 659592
 Tel: (65) 6561 0488 Fax: (65) 6562 0588
 Email: sales@scigate.com.sg Web: www.scigate.com.sg
 Business Hours: Monday - Friday 8.30am - 6.15pm



Revised date: 25-Aug-2016 V1.4