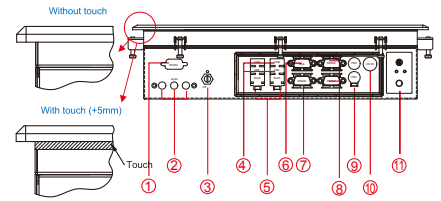
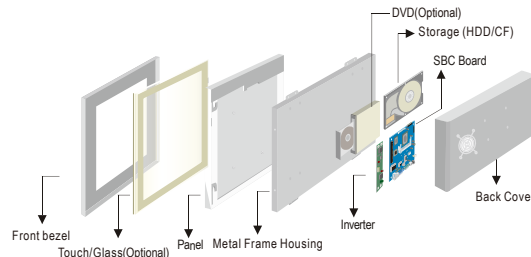


R12IV7T-PMM2 12.1" Panel PC (Intel® 3rd Generation Core™ i7 / i5)

Mechanical Design



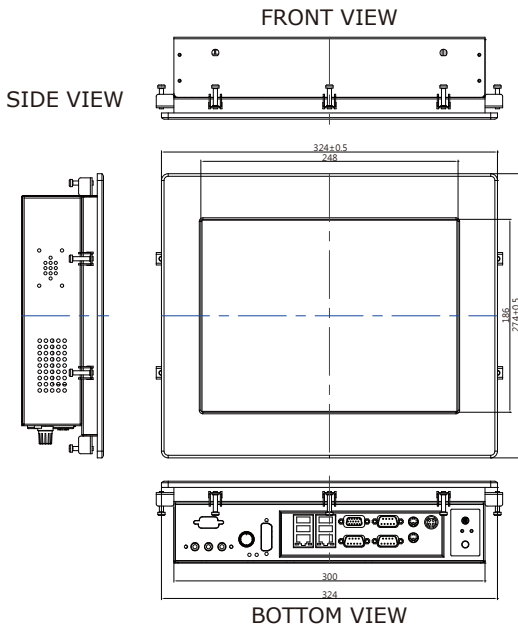
1. RS-232 Conn.(Default)
2. Audio Jack
3. Brightness Adjustment Knob
4. USB
5. RJ-45
6. VGA Out
7. RS-232/422/485
8. RS-232 Conn.
9. PS/2
10. DC IN Power Jack
11. OSD Membrane

Panel Mount (5mm front bezel)

Mechanical design

Dimensions

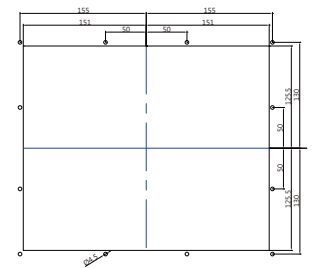
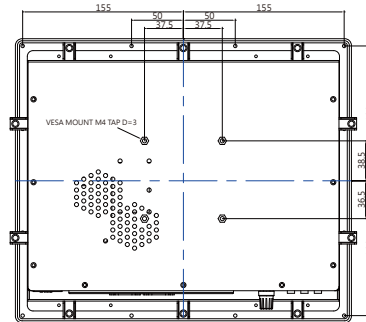
Fully Integrated I/O



SIDE VIEW

BACK VIEW

IP65 CUT OUT



- * Measurements shown in mm
- * All Dimensions are ± 0.5 mm
- * Note: this is a simplified drawing and some components are not marked in detail. Please contact our sales representative if you need further product information.

Specifications

System Specifications :

- CPU : Intel® 3rd Generation Core™ i7-3520M 2.9GHz, turbo to 3.6GHz
Intel® 3rd Generation Core™ i5-3230M 2.6GHz, turbo to 3.2GHz
- System Chipset : Intel HM76 Chipset
- System Memory : 2 x DDR3L 1333/1600MHz SO-DIMM, max. 16GB
- Audio : Realtek ALC886 HD Audio Codec
- Network : Dual Broadcom BCM57780 PCIe GbE LAN Controller
- IDE/SATA : 1 x SATA III, 1 x SATA II

Input / Output :

- Serial Ports : 2 x RS232, 1 x RS232/422/485
 - USB Ports : 4 x USB 3.0
 - Keyboard / Mouse : 2 x PS/2
 - Ethernet : 2 x RJ 45-10/100/1000 Mbps
 - VGA : 1 x VGA (female)
 - Audio : Line-Out, Line-In, Mic in
- Default setting:RS232

Expansion Slot :

- 2 x Mini PCIe (1 for WiFi, 1 for WWAN Module), 1xPCIe x16 , 1xPCIe x 4
- * A customized housing is needed if you would like to have the PCIe expansion.

Power Management :

- Power Input : 12V DC IN (Lockable Power Jack)
- Power Consumption : 87W (typ.)(Max.backlight & high CPU load)

Accessories :

- External Adapter : 110~240V Ac-in Power Adapter

Display Specifications :

- Size/Type : 12,1" TFT
- Resolution : 1024 x 768
- Contrast Ratio : 1000:1
- Brightness : 500nits
- Viewing Angle : -89~89 (H) ; -89~89 (V)
- Max Colors : 16.2M

Environment :

- Operating Temperature : 0°C to 50°C
- Operating Humidity : 30% to 90% (non condensing)

OS BSP / Driver Support :

- Support Windows 10 IoT Enterprise / Windows 8 Embedded / Windows 7 Embedded

Order Options :

Mechanical : Panel Mount (5 mm bezel)	Storage : 2.5"HDD/ 2.5" SSD/ mSATA SSD
Touch : 5 Wire Resistive (Optional) AR Glass (Optional)	RAM : DDR3L 1333/1600MHz SO-DIMM, max. 16GB
(A customized housing is needed if you have demands of SAW/IR/SC touch)	OS : Windows 10 IoT Enterprise / Windows 8 Embedded / Windows 7 Embedded



SCIGATE AUTOMATION (S) PTE LTD

Bukit Batok Street 22 #01-01 Singapore 659592
Tel: (65) 6561 0488 Fax: (65) 6561 0588
Email: sales@scigate.com.sg Web: https://scigate.com.sg/
Business Hours: Monday - Friday 8:30AM - 6:15PM



Note: All Specifications are subject to change without prior notice!

Revised Date:19-Apr-2018 V1.7