

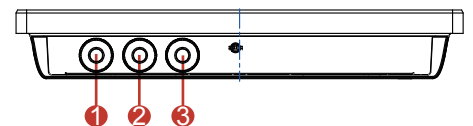
GS65 Display



12.1" (4:3) Specifications

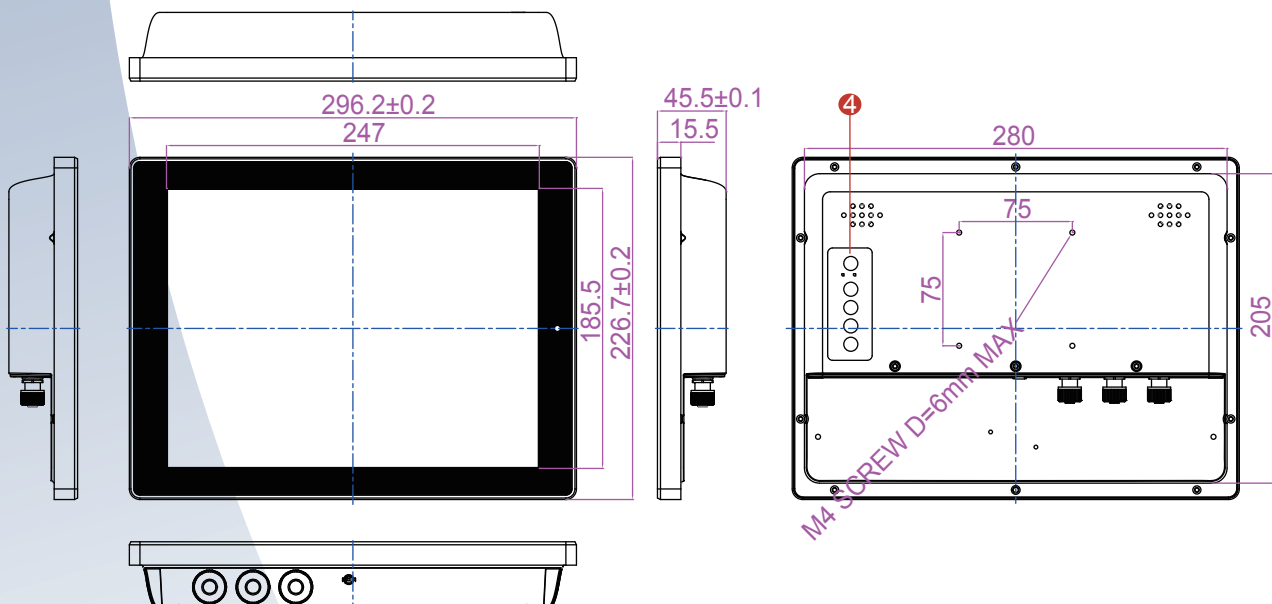


Model Name	R12L100-GSM2(HB)
Viewable Size Image	12.1"(4:3)
Active Display Area(mm)	245.76 (H) x 184.32 (V)
Display Resolution (pixel)	1024(H)x768(V)
Pixel Pitch(mm)	0.240 (H) x 0.240 (V)
Synchronization Range_	31.5~46.9KHz / 60~75Hz
Horizontal / Vertical	
Recommended Resolution	1024x768@60Hz
Contrast Ratio	700:1 (typ.)
Brightness(cd/m ²)	500 cd/m ² (typ.) Optional for High brightness 1000 cd/m ² (typ.)
Viewing Angle(CR>=10)	-80,80 (H); -70,70 (V)
Power Consumption	18 W typical, normal operation
Power Source	9~36V DC (M12 type)
Plug & Play	Yes
Input Ports	1 x VGA, 1 x USB for Touch
Touch Screen	Projected Capacitive Touch(USB) (optional protection glass)
Operating Temperature	-15°C~55°C
Storage Temperature	-30°C~70°C
Operating Humidity	10%~95% (non-condensing)
IP Rating	Full IP65
Shock Operating	30g for 18ms, 300m/s ²
Vibration Operating	1.60/1.96/2.18 g rms for XYZ/ 5-500Hz
Certifications & Standards	Compliant with MIL-STD-810F/G for vibration / shock, CE, FCC



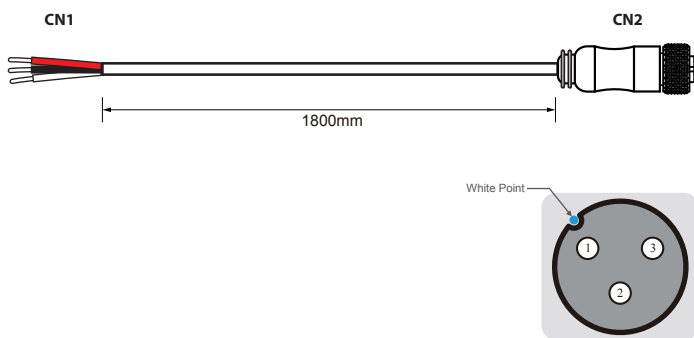
1. 9~36V DC (M12 type)
2. VGA (M12 type)
3. USB For Touch(M12 type),
only with Touch
4. OSD Power

Mechanical Drawing



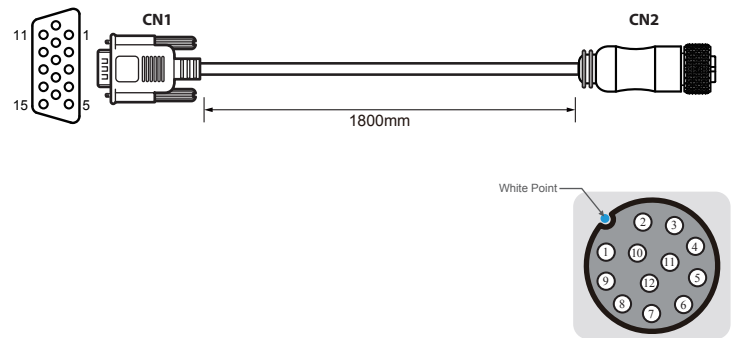
GS65 Display

M12 Power Cable



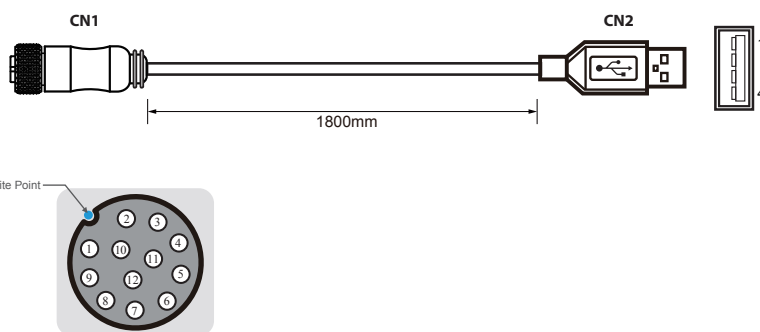
Pin No.	Symbols	Color		Pin No.	Symbols	Color
CN1-1	VCC+	Red	↔	CN2-1	VCC+	Red
CN1-2	GND	Black	↔	CN2-2	GND	Black
CN1-3	VCC-	White	↔	CN2-3	VCC-	White

VGA Cable



Pin No.	Symbols	Color		Pin No.	Symbols	Color
CN1-1	R	Red	↔	CN2-1	R	Red
CN1-6	R-GND	Black	↔	CN2-2	R-GND	Black
CN1-5	G	Green	↔	CN2-3	G	Green
CN1-7	G-GND	Black	↔	CN2-4	G-GND	Black
CN1-3	B	Blue	↔	CN2-5	B	Blue
CN1-8	B-GND	Black	↔	CN2-6	B-GND	Black
CN1-12	SDA	Yellow	↔	CN2-7	SDA	Yellow
CN1-13	HS	Orange	↔	CN2-8	HS	Orange
CN1-14	VS	White	↔	CN2-9	VS	White
CN1-15	SCL	Brown	↔	CN2-10	SCL	Brown

USB for Touch Cable



Pin No.	Symbols	Color		Pin No.	Symbols	Color
CN1-2	VCC	Red	↔	CN2-1	VCC	Red
CN1-3	D-	White	↔	CN2-2	D-	White
CN1-4	D+	Green	↔	CN2-3	D+	Green
CN1-5	GND	Black	↔	CN2-4	GND	Black
CN1-9	GND	Black	↔	CN2 Shell		Black



SCIGATE AUTOMATION (S) PTE LTD

No.1 Bukit Batok Street 22 #01-01 Singapore 659592
 Tel: (65) 6561 0488 Fax: (65) 6562 0588
 Email: sales@scigate.com.sg Web: www.scigate.com.sg
 Business Hours: Monday - Friday 8.30am - 6.15pm