

# 12.1" Marine Bridge System Display

Model # R12L600-MRM2HB

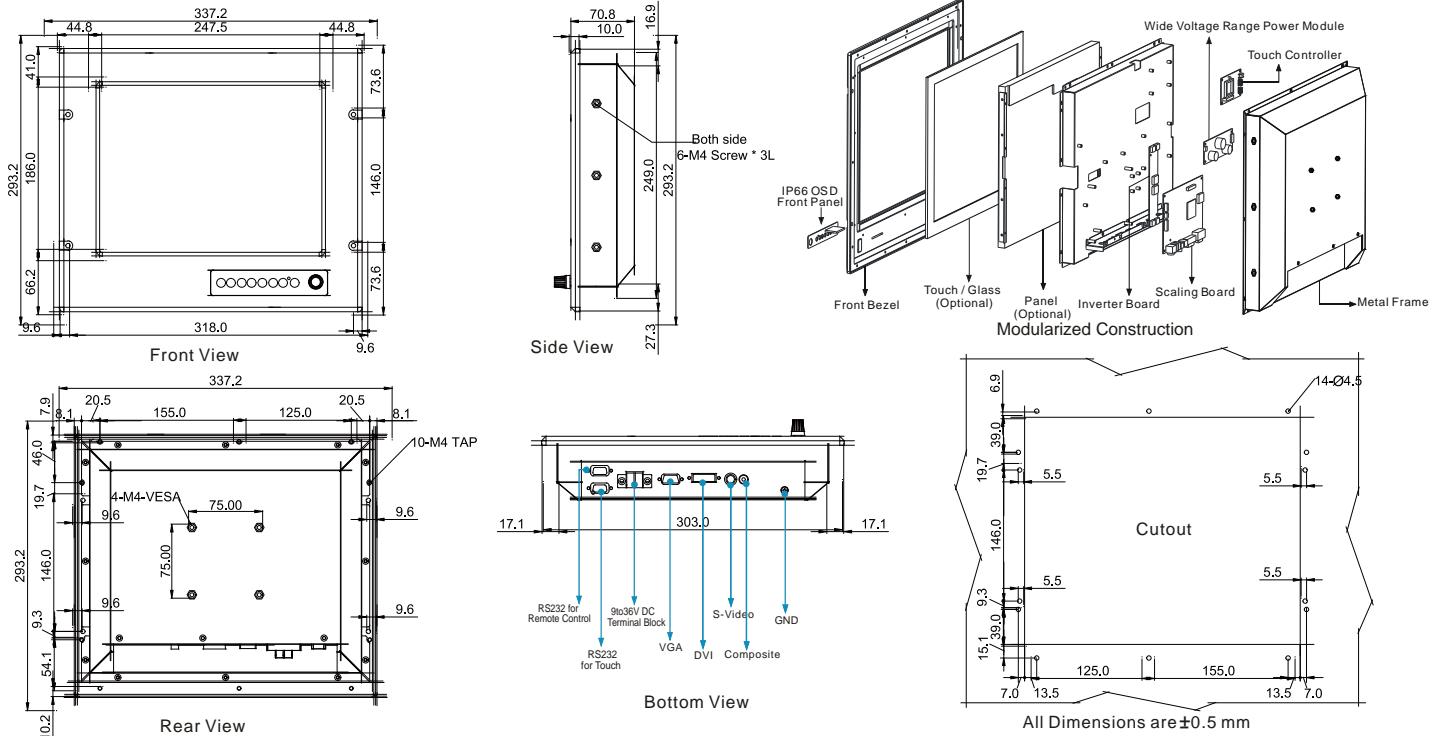


## Features:

- Hyper Dimming : Dimming knob control backlight brightness from nearly 0% to 100%
- High Brightness Lcd Panel : High brightness TFT-LCD Panel enhances the best visibility
- Anti-Corrosion & IP Proof : IP66 aluminum housing with powder coating design (IP54 rear)
- Wide Voltage Range Input : 9 to 36V DC to DC power input acceptable (AC power for option)
- Touchscreen/ Protection Glass : High quality touchscreen / AR protection glass for option
- Multiscan Function : PIP(picture in picture) function and multi-video inputs
- IP65 OSD Front Panel Design : Ease of use front panel OSD control
- Anti-Shock and Vibration : Enhanced shock and vibration resistance



## Mechanical Design Drawing



\* Note: this is a simplified drawing and some components are not marked in detail. Please contact our sales representative if you need further product information.

## TFT Characteristics:

Pixel Number	: 1024 x 768
Pixel Pitch(RGB)	: 0.240 (H) x 0.240 (V) mm
Contrast Ratio	: 500:1 (typ.)
Light Intensity	: 1000 cd/m <sup>2</sup> (typ.)
Viewable Angles	: 120(H);100(V)
Active Display Area	: 246.8 (H) x 185.4(V) mm
Max Colors	: 262,144 (6bit/colors)

## Input Signals:

RGB Signal	: D-SUB 15P connector(female)
Composite Video	: RCA phono plug
S-Video Signal	: S-Video (SVHS) plug
DVI-D Signal	: DVI-D input 24pin connector
DC Power Signal	: Screw terminal block
AC Power Signal (Optional)	: Std IEC Inlet
Touch Screen (Optional)	: D-SUB 9P connector (female)
Remote via RS-232 (Optional)	: D-SUB 9P connector (female)

## User Controls:

- Power On/Off via front button
- VR Brightness Knob Control
- Power Mode Status LED
- On Screen Display control(OSD)
- OSD Remote Control via RS-232

## Power Specifications:

Power Supply Options	: 9 to 36 V DC power supply with Terminal block (Default)
Power Consumption	: 32 W typical, normal operation

## Mechanical and Environmental:

Mechanical Mounting	: Panel (Flush) mount with IP66*, VESA, Bracket mounting
Operating Temperature	: -10 to 55 deg.C (-20 to 60 deg.C for optional heating)
Operating Humidity	: 5% to 95% (non condensing)
Anti-Vibration	: 5Hz~500Hz / 1Grms/3 Axis
Anti-Shock	: 15G, 11ms duration
* SAW touch for IP54	

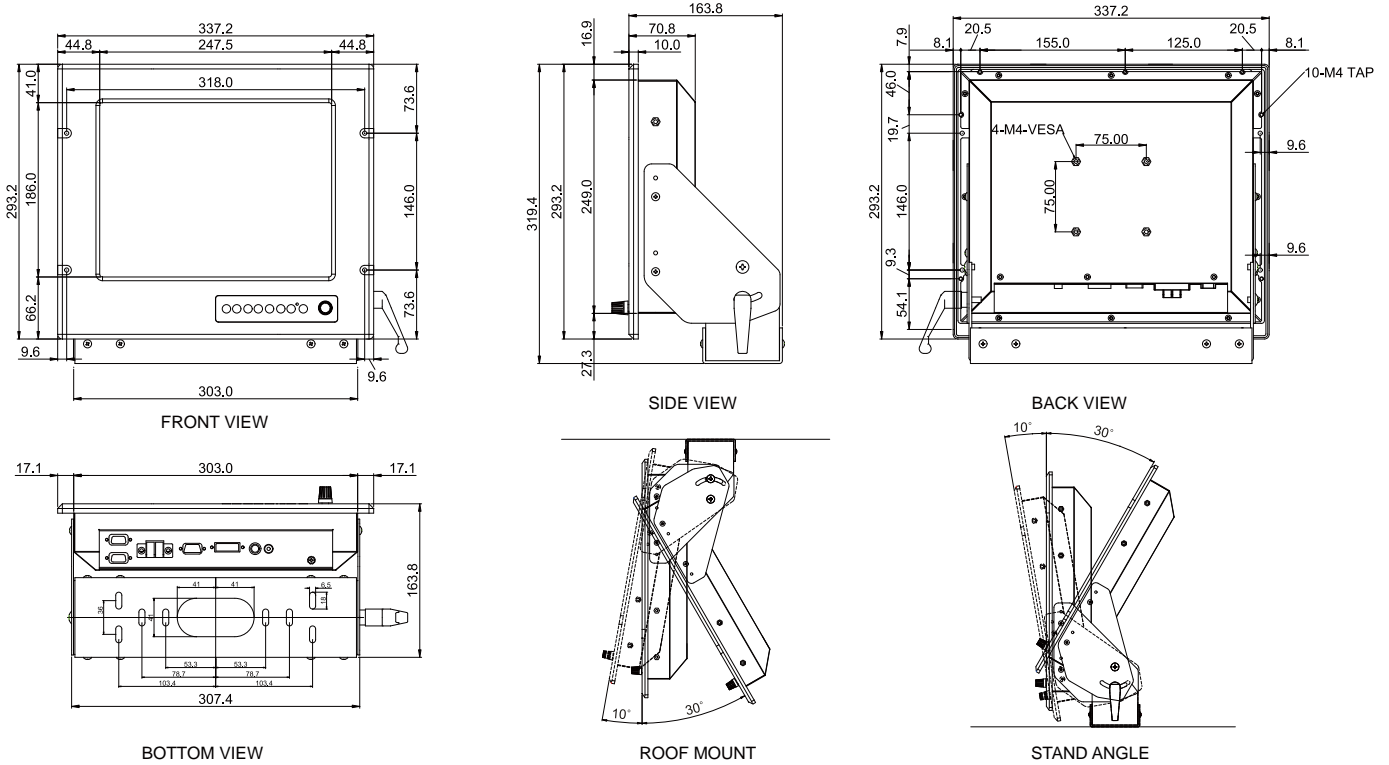
## Available Options:

Touch Screen Options	: SAW, 5 Wire Resistive
AR Safety Glass Options	: 3mm Anti-reflective protection glass
AC power Options	: Yes (90 to 265 V AC power input)
Bracket Mounting Options	: Yes (One robust bracket can adjust from -10 to 30 deg.)

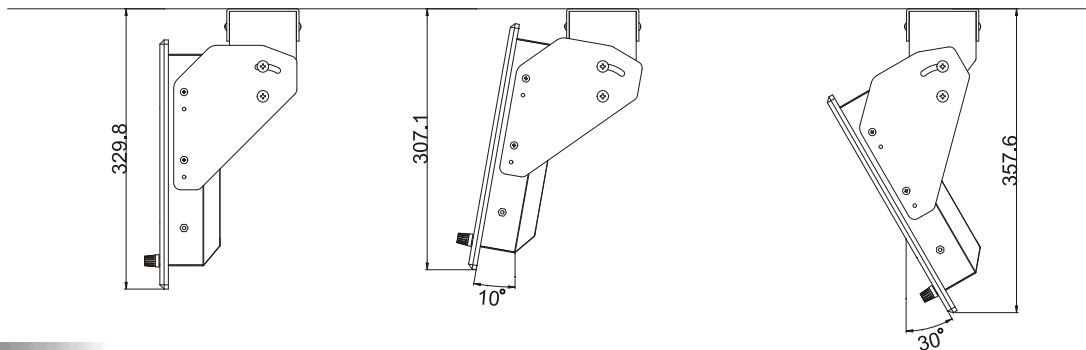
# 12.1" Marine Bridge System Display

Model # R12L600-MRM2HB

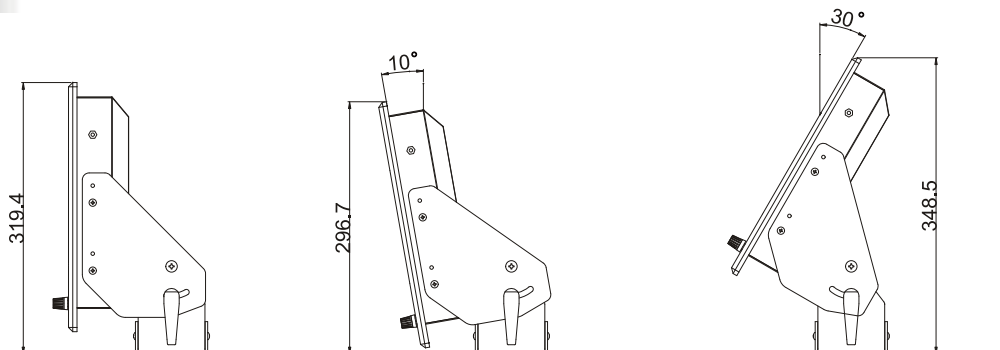
## Mechanical Design with Robust Bracket (option)



### ROOF MOUNT



### STAND ANGLE



All Dimensions are  $\pm 0.5$  mm

\* Note: this is a simplified drawing and some components are not marked in detail. Please contact our sales representative if you need further product information.

**SCIGATE**  
Your Automation Partner

**SCIGATE AUTOMATION (S) PTE LTD**  
No.1 Bukit Batok Street 22 #01-01 Singapore 659592  
Tel: (65) 6561 0488 Fax: (65) 6562 0588  
Email: sales@scigate.com.sg Web: www.scigate.com.sg  
Business Hours: Monday - Friday 8.30am - 6.15pm

Certification and Approvals : CE, FCC



\* Extra charge is required for back covers with bracket holes for products purchased before end of Nov. 08'

Note: All Specifications are subject to change without prior notice!

Revised Date : 29-Jun-2016 V1.1