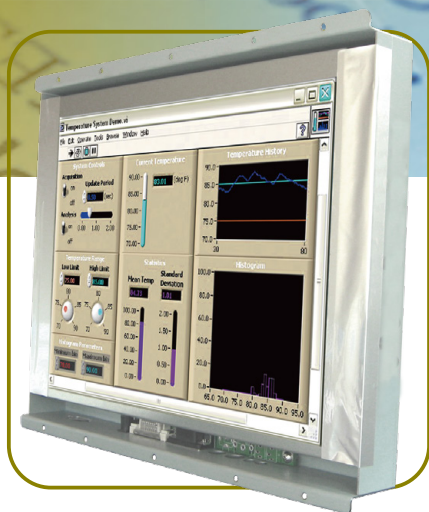


Open Frame LCD

Open Frame High Brightness Display

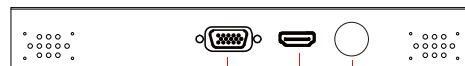


12.1"

Specifications

RoHS COMPLIANT
2011/ 65/ EU

| | |
|--------------------------------|---|
| Model Name | R12L600-OFM2HB |
| Panel Size | 12.1" |
| Active Display Area(mm) | 245.76(H) x 184.32(V) |
| Resolution | 1024x768 |
| Brightness(cd/m ²) | 1000 (Typical) |
| Contrast Ratio | 700:1 (Typical) |
| Viewing Angles(CR>=10 L/R/U/D) | -80~80(H) ; -70~70(V) |
| Display Colors | 262K (6 bit/color) |
| Standard Input Signal | 1 x VGA (D-sub 15) 1 x HDMI (Type-A) |
| Touch Screen(Optional-1) | Resistive Touch Protective Glass |
| Touch Screen(Optional-2)* | SAW Touch (Surface Acoustic Wave) |
| Touch Interface | USB / RS232 |
| Audio / Speakers (Optional)* | Audio line in (3.5mm) + Speaker x2 |
| OSD | 5 Keys: -, +, Power, Esc, Enter |
| Power Input | 12V DC input (2.5ψ) with external AC-DC Adapter (100V~240V) |
| Power Consumption | 20W typical, Normal operation |
| Operating temperature | 0~50°C |
| Storage Temperature | -10~60°C |
| Accessories | Power AC-DC Adapter(100V~240V) VGA cable (1.8m) HDMI cable (2m) |



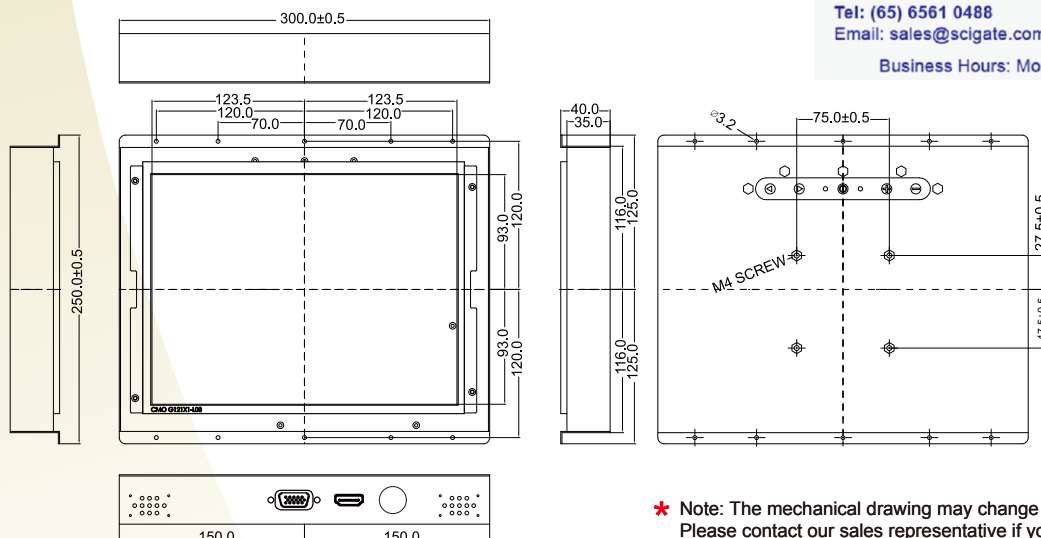
1. VGA
2. HDMI
3. 12V DC-in

I/O Optional

| | |
|-------------|---|
| Optional 1* | 1 x VGA (D-sub 15) 1 x HDMI (Type-A) 1 x DVI-D |
| Optional 2* | 1 x VGA (D-sub 15) 1 x DVI-D 1 x S-Video 1 x Composite |

*Outside dimension and I/O will be different from standard

Mechanical Drawing



UNIT:mm

* Note: The mechanical drawing may change when adding touch screen. Please contact our sales representative if you need further product information.




SCIGATE AUTOMATION (S) PTE LTD
 No.1 Bukit Batok Street 22 #01-01 Singapore 659592
 Tel: (65) 6561 0488 Fax: (65) 6562 0588
 Email: sales@scigate.com.sg Web: www.scigate.com.sg
 Business Hours: Monday - Friday 8.30am - 6.15pm