

# Sunlight Readable LCD

## Sunlight Readable LCD

12.1"

### Specifications

RoHS  
COMPLIANT  
2011/65/EU



Model Name	R12L600-OFM2TR
Panel Size	12.1"
Active Display Area(mm)	245.76(H) x 184.32(V)
Resolution	1024x768
Brightness(cd/m <sup>2</sup> )	600 (Typical)
Contrast Ratio	700:1 (Typical)
Viewing Angles(CR>=10 L/R/U/D)	-80~80(H) ; -70~70(V)
Display Colors	262K (6 bit/color)
Standard Input Signal	1 x VGA (D-sub 15) 1 x HDMI (Type-A)
Touch Screen(Optional-1)	Resistive Touch Protective Glass
Touch Screen(Optional-2)*	SAW Touch (Surface Acoustic Wave)
Touch Interface	USB / RS232
Audio / Speakers (Optional)*	Audio line in (3.5mm) + Speaker x2
OSD	5 Keys: -, +, Power, Esc, Enter
Power Input	12V DC input (2.5ψ) with external AC-DC Adapter (100V~240V)
Power Consumption	20W typical, Normal operation
Operating temperature	0~50°C
Storage Temperature	-10~60°C
Accessories	Power AC-DC Adapter(100V~240V) VGA cable (1.8m) HDMI cable (2m)



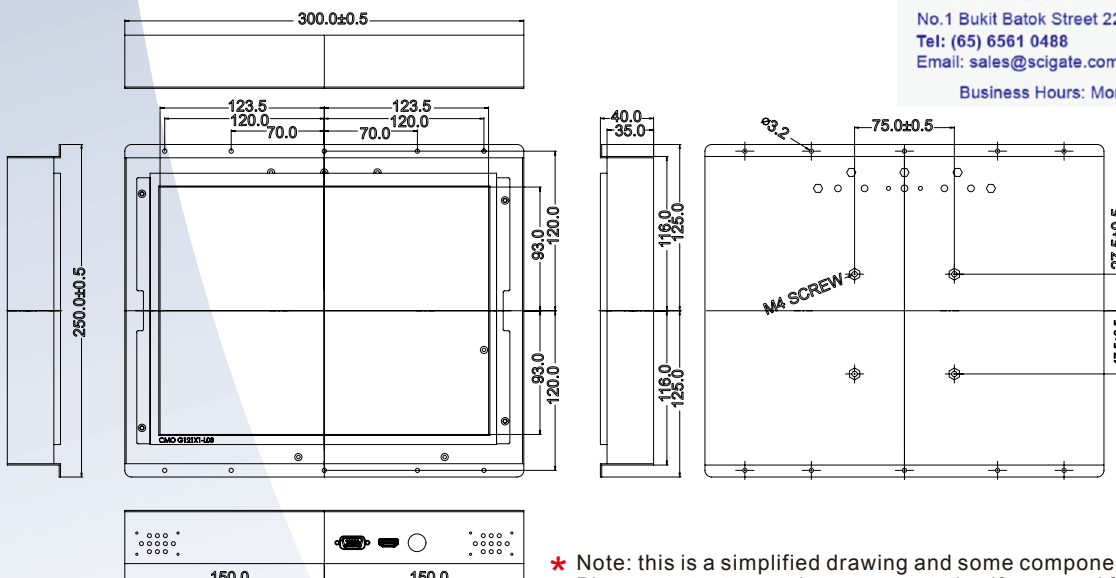
1. VGA
2. HDMI
3. 12V DC-in

### I/O Optional

Optional 1*	1 x VGA (D-sub 15) 1 x HDMI (Type-A) 1 x DVI-D
Optional 2*	1 x VGA (D-sub 15) 1 x DVI-D 1 x S-Video 1 x Composite

\*Outside dimension and I/O will be different from standard

### Mechanical Drawing



\* Note: this is a simplified drawing and some components are not marked in detail. Please contact our sales representative if you need further product information.

**SCIENCE  
GATE**  
Your Automation Partner



**SCIGATE AUTOMATION (S) PTE LTD**

No.1 Bukit Batok Street 22 #01-01 Singapore 659592  
Tel: (65) 6561 0488 Fax: (65) 6562 0588  
Email: sales@scigate.com.sg Web: www.scigate.com.sg

Business Hours: Monday - Friday 8.30am - 6.15pm