

Rugged Panel PC



Model: R15IB3S-VMC3(HB)

Product Features:

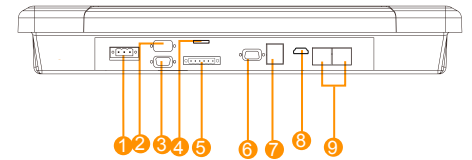
- » Ultra Low Bay Trail N2930 1.83GHz Processor Fanless Design
- » High Quality 15" Panel, 1024*768 resolution, 250 nits (Optional for 1000 nits)
- » Front IP65 Dust/ Water proof design with VESA mount
- » Aluminum Housing with Anti-Corrosion Treatments
- » Built-in ambient Light sensor
- » Wide Range 9 to 36V DC Input with isolation
- » Optional 6-60V DC Input, and Optional for Ignition On/Off delay
- » 5 Wire Resistive Touch / Anti-Reflective Protection Glass (Optional)
- » Optional GPS, 3G/WLAN(Either one). Digital IO/Canbus(Either one)
- » Optional HB/Sunlight Readable up to 1000 nits
- » Design to meet EN50155

Product Specifications:

Display	Model Name	R15IB3S-VMC3(HB)
	Size	15"
	Resolution (pixels)	1024 x 768
	Number of Colors	16.2 M (8 bit) / 262K (6 bit)
	Brightness (cd/m ²)	250nits for R15IB3S-VMC3 Optional 1000nits for R15IB3S-VMC3HB (High Brightness)
	Contrast Ratio	700:1
	Viewing Angle	-80~80 (H) ; -70~70 (V)
System	Active Area	304.1 (H) x 228.1 (V)
	Touch (optional)	5 Wire Resistive (Default)
	Processor	Intel® Bay Trail N2930 1.83Ghz Processor
	Chipset	Bay Trail SoC Chipset
	BIOS	AMI 16Mbit Flash
	Memory	1xDDR3L 1600/1333 MHz SO-DIMM, default 4GB, Max. 8GB
	Ethernet	Intel® I210-AT GbE LAN
Storage	Storage	mSATA SSD, default 64GB
	Expansion Slot	1 x Mini PCIe slot (for wireless module) 1 x Mini PCIe slot (for SATA SSD)
Input / Output	1 x USB 3.0, 1 x USB 2.0	
	1 x HDMI	
	1 x RS-232	
	1 x RS-232 (Optional)	
	1 x RS-232/422/485	
	1 x 9~36V Terminal Block	
	1 x CanBus / Digital IO (Optional)	
Environment	1 x SIM Card Slot (Optional)	
	2 x LAN	
	Operating Temperature	-10 ~ 55°C
	Storage Temperature	-30 ~ 70°C
	Humidity	10 ~ 95% non-condensing
	Shock	MIL-STD-810F/G
	Vibration	MIL-STD-810F/G
Power Input	Power Input	9~36V DC in with isolation (Phoenix type) Optional 6-60V DC in, with Ignition On/Off delay
	Safety	Compliance with MIL-STD-810F/G
Driver OS Support	Windows Embedded Standard 7 (64-bit)	
	Windows Embedded 8.1 Industry Pro 64-bit	
	Windows 10 IoT Enterprise	
Mechanical	Dimension(W x H x D)	398 x 308 x 58mm
	Approximate Weight	4.9 kg*
Packing List	*Weight of this device will be more or less depending upon actual component configuration	
	(IB32) SBC Manual & Driver CD	
Product Optional Items	Mounting bracket	One robust bracket with locking handle (Can adjust from -5 deg. to 90 deg.)
	Sunlight Readable	Transflective film enhancement for optional
	Anti-reflective Glass	3 mm (Replace touch)
	WLAN / 3G	Either one
	GPS	USB interface
Digital IO / Canbus	Either one	
Security Support	Trusted Platform Module (TPM 1.2)	

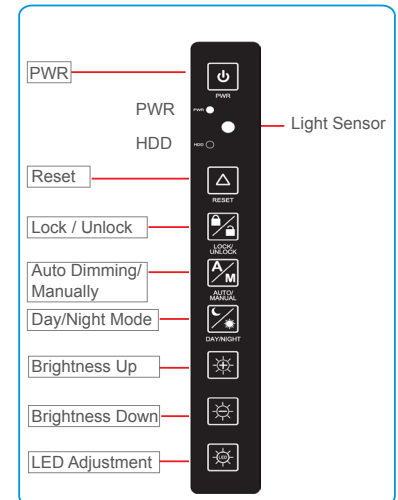


I / O View:



1. 9~36V Terminal Block
2. RS-232 (Optional)
3. RS-232
4. SIM Card Slot (Optional)
5. CanBus / DIO (Optional)
6. RS232/422/485
7. 1xUSB 3.0, 1xUSB 2.0
8. HDMI
9. 2xRJ45

Front OSD Control Function:



SCIGATE AUTOMATION (S) PTE LTD
 No.1 Bukit Batok Street 22 #01-01 Singapore 659592
 Tel: (65) 6561 0488 Fax: (65) 6562 0588
 Email: sales@scigate.com.sg Web: www.scigate.com.sg
 Business Hours: Monday - Friday 8.30am - 6.15pm

Drawing w / Mounting bracket:

