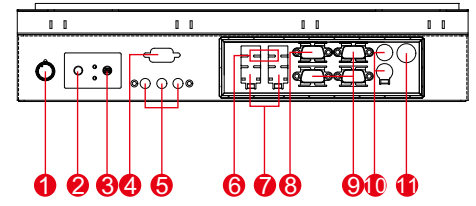
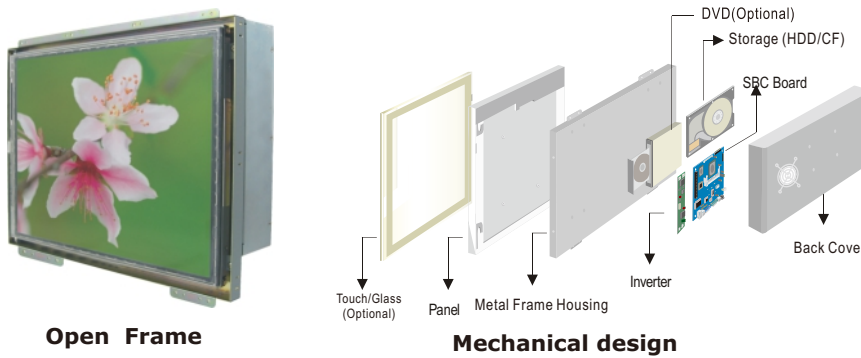


R15ID7T-0FC3HB 15" Panel PC (Intel® Atom Dual Core D2550+NM10 Platform)

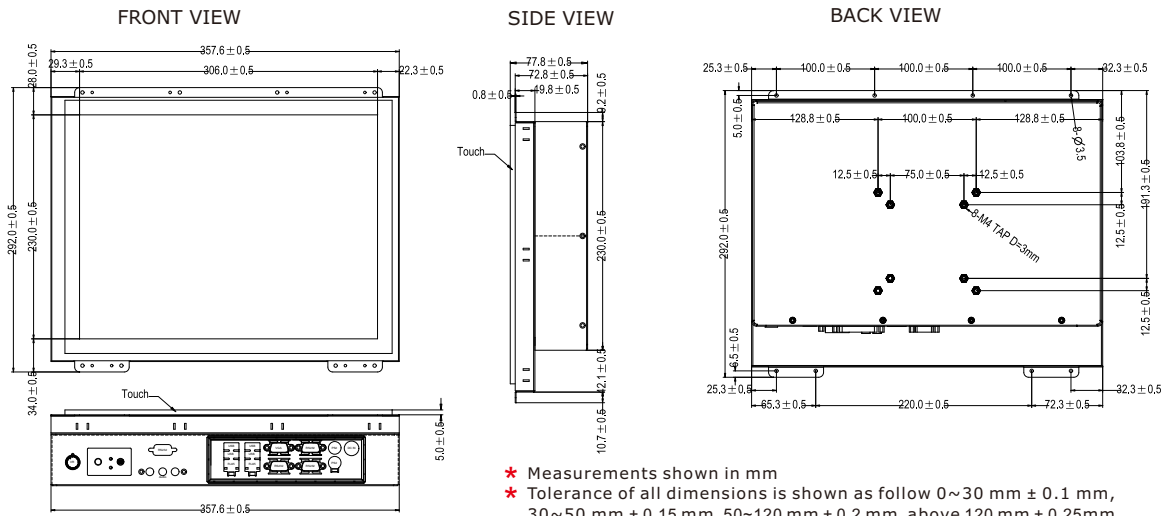
Mechanical Design



1. Brightness Adjustment Knob
2. Power On Button
3. Power Reset Button
4. RS-232 Conn.(Optional)
5. Audio Jack
6. USB
7. LAN
8. VGA
9. RS-232 Conn.
10. PS/2
11. DC-IN Lockable Power Jack

Fully Integrated I/O

Dimensions



- * Measurements shown in mm
- * Tolerance of all dimensions is shown as follow 0~30 mm ± 0.1 mm, 30~50 mm ± 0.15 mm, 50~120 mm ± 0.2 mm, above 120 mm ± 0.25mm
- * Note: this is a simplified drawing and some components are not marked in detail. Please contact our sales representative if you need further product information.

Specifications

System:

- CPU : Intel® Atom Dual Core D2550 1.86GHz Processor
- Memory Slot : DDR3 1066 MHz SO-DIMM Slot, Max. 4GB
- System Chipset : NM10
- IDE/SATA : 2 x SATA
- LAN : Dual Broadcom BCM57780 GbE controller
- Audio Codec : Realtek ALC886 HD Audio Codec

Input / Output:

- Serial Ports : 2 x RS232, 1 x RS232/422/485
- USB Ports : 4 x USB Type-A Receptacle
- Keyboard / Mouse : 2 x PS/2
- Ethernet : 2 x RJ45-10/100/1000 Mbps
- VGA : 1 x VGA (female)
- Audio : Line-out, Line-in, Mic in

• Default setting: RS232

Expansion Slot:

- 2 x Mini PCIe (1 for WiFi, 1 for 3G Module), 1 x PCI
- * A customized housing is needed if you would like to have the PCI expansion.

Power Specifications:

- Power Input : 12V DC IN (Lockable Power Jack)
- Power Consumption : 43W (typ.)(Max.backlight & high CPU load)

Accessories:

- External Adapter : 110~230V Ac-in Power Adapter

Panel Spec:

- Size/Type : 15" TFT
- Resolutions : 1024 x 768
- Brightness : 800 cd/m² (typ.)
- Contrast Ratio : 700 : 1 (typ.)
- Viewing Angle : -80~80(H); -70~70(V)
- Max. Colors : 16.2M (8 bit) / 262K (6 bit)

Environment Considerations:

- Operating Temperature : 0°C to 45°C
- Operating Humidity : 30% to 90% (non condensing)

OS BSP / Driver Support :

- Support Windows 7 embedded / Windows XP embedded

Order Options:

Mechanical : Open Frame Panel Mount(10 mm bezel) IP65(10 mm bezel)	Storage : 2.5" HDD / 2.5" SSD RAM : DDR3 1066 Max 4GB OS : Windows 7 embedded / Windows XP embedded / (Optional)
Touch : 5-Wires Resistive(Optional) (A customized housing is needed if you have demands of SAW/IR/IT/SC touch)	



SCIGATE AUTOMATION (S) PTE LTD

No.1 Bukit Batok Street 22 #01-01 Singapore 659592
Tel: (65) 6561 0488 Fax: (65) 6562 0588
Email: sales@scigate.com.sg Web: www.scigate.com.sg

Business Hours: Monday - Friday 8.30am - 6.15pm



12-May-2017 V1.1

Note: All Specifications are subject to change without prior notice!