

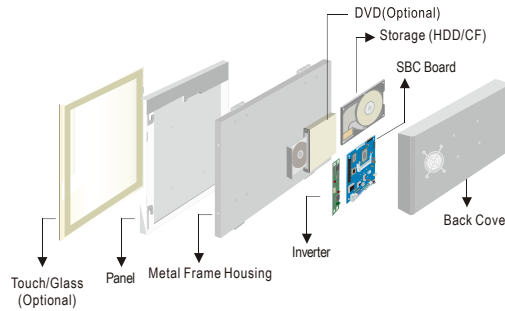
# R15IV7T-0FC3

## 15" Panel PC (Intel® 3rd Generation Core™ i7/i5/i3)

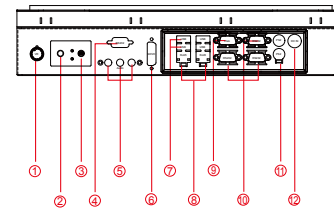
Mechanical Design



Open Frame

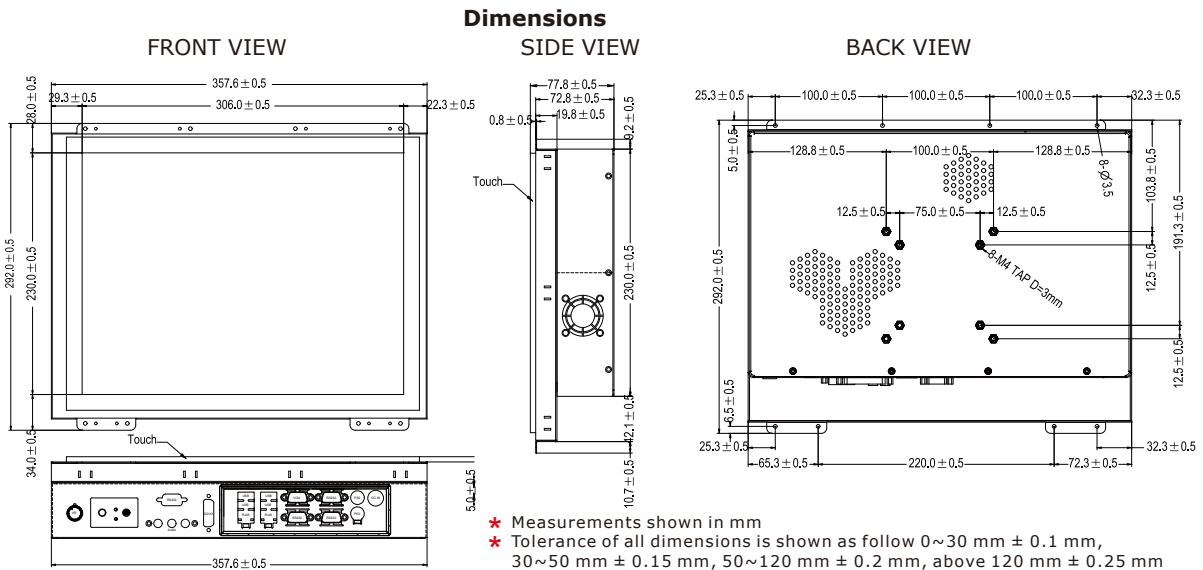


Mechanical design



- 1. Brightness Adjustment Knob
- 2. Power On Button
- 3. Power Reset Button
- 4. RS-232 Conn.(Optional)
- 5. Audio Jack
- 6. DVI (Optional)
- 7. USB
- 8. RJ-45
- 9. VGA Out
- 10. RS-232 Conn.
- 11. PS/2
- 12. 12V DC-IN

Fully Integrated I/O



- \* Measurements shown in mm
- \* Tolerance of all dimensions is shown as follow 0~30 mm ± 0.1 mm, 30~50 mm ± 0.15 mm, 50~120 mm ± 0.2 mm, above 120 mm ± 0.25 mm
- \* Note: this is a simplified drawing and some components are not marked in detail. Please contact our sales representative if you need further product information.

### Specifications

#### System :

- CPU : Intel® 3rd Generation Core™ i7/i5/i3
- Memory : 2 x SO-DIMM, Max 16GB DDR3L 1333/1600
- System Chipset : Intel® HM76 Chipset
- Storage : 1 x SATAIII, 1 x SATAII, 1 x mSATA
- LAN : Dual Broadcom BCM57780 GbE
- Audio Codec : Realtek ALC886 HD Audio Codec

#### Panel Spec :

- Size/Type : 15" TFT
- Resolutions : 1024 x 768
- Brightness : 250 cd/m<sup>2</sup> (typ.)
- Contrast Ratio : 500 : 1(typ.)
- Viewing Angles : -70~70(H); -60~60(V)
- Max Colors : 16.2M

#### Input / Output :

- Serial Ports : 2 x RS232, 1 x RS232/422/485
- USB Ports : 4 x USB 3.0
- Keyboard / Mouse : 2 x PS/2
- Ethernet : 2 x RJ 45-10/100/1000 Mbps
- VGA : 1 x VGA (female)
- Audio : Line-Out, Line-In, Mic in

• Default setting:RS232

#### Environment Considerations :

- Operating Temperature : 0 deg.C to 50 deg.C
- Operating Humidity : 30% to 90% (non condensing)

#### OS BSP / Driver Support :

- Support Windows XP / Windows 7 / Windows 8 Embedded / Windows 10 IoT Enterprise

#### Order Options :

Mechanical : Open Frame IP65(10mm bezel) Touch : 5 Wires Resistive(Optional)	Storage : <b>2.5" HDD/mSATA SSD</b> RAM : SO-DIMM DDR3L 1600 OS : Windows XP Embedded Windows 7 Embedded Windows 8 Embedded Windows 10 IoT Enterprise DVD : Yes(Optional)
------------------------------------------------------------------------------------	---------------------------------------------------------------------------------------------------------------------------------------------------------------------------------------------

(A customized housing is needed if you have demands of SAW/IR/IT/SC touch)

#### Expansion Slot :

- 1 x PCI-E(x16), 2 x Mini PCI-E

#### Power Specifications :

- Power Input : 12V DC IN
- Power Consumption : 87W(typ.)(Max.backlight & high CPU load)

#### Accessories :

- External Power Supply 110~240V AC-in power adapter

**SCIGATE AUTOMATION (S) PTE LTD**  
 No.1 Bukit Batok Street 22 #01-01 Singapore 659592  
 Tel: (65) 6561 0489 Fax: (65) 6562 0588  
 Email: sales@scigate.com.sg Web: www.scigate.com.sg  
 Business Hours: Monday - Friday 8.30am - 6.15pm



Note: All Specifications are subject to change without prior notice!

Revised date: 06/17/2016 V1.2