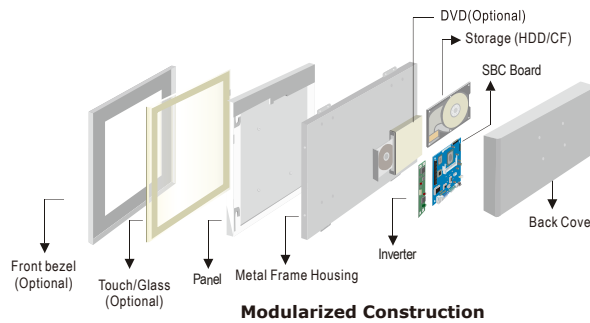


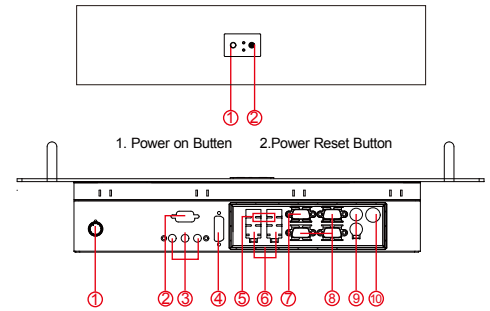
R15IV7T-RKC3 15" Rack Mount PPC

(Intel 3rd Generation i5/i7 CPU)

Mechanical Design

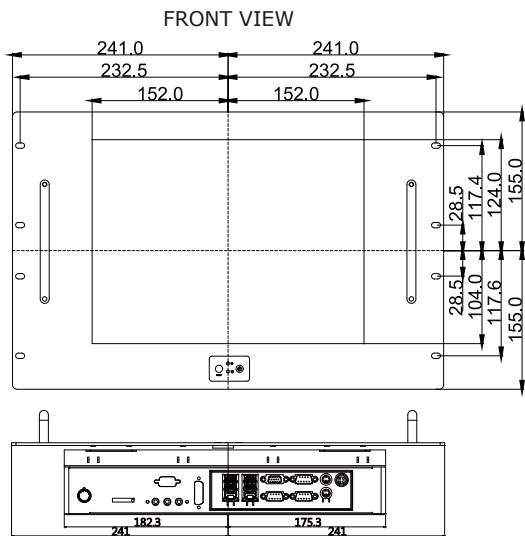


Modularized Construction



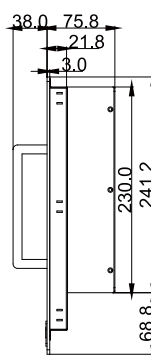
1. Power on Button
2. Power Reset Button
3. Audio Jack
4. DVI (Optional)
5. USB
6. RJ-45
7. VGA Out
8. RS-232 Conn.
9. PS/2
10. DC-IN Lockable Power Jack

Rack Mount

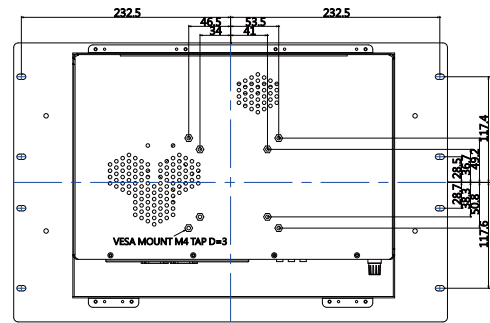


BOTTOM VIEW

Dimensions



Fully Integrated I/O



BACK VIEW

- * Measurements shown in mm
- * Tolerance of all dimensions is shown as follow 0~30 mm ± 0.1 mm, 30~50 mm ± 0.15 mm, 50~120 mm ± 0.2 mm, above 120 mm ± 0.25 mm
- * Note: this is a simplified drawing and some components are not marked in detail. Please contact our sales representative if you need further product information.

System Specifications

System	
• CPU	: Intel@Core™ i5-3320M i7-3520M (2.6GHz / 2.9GHz)
• Memory	: 2 x SO-DIMM, Max 16GB DDR3 1333/1600
• System Chipset	: Intel@ HM76 Chipset
• Storage	: 1 x SATAIII, 1 x SATAII, 1 x mSATA
• LAN	: Dual Broadcom BCM57780 GbE
• Audio Codec	: Realtek ALC886 HD Audio Codec

Panel Spec	
• Size/Type	: 15" TFT
• Resolutions	: 1024 x 768
• Brightness	: 250 cd/m ² (typ.)
• Contrast Ratio	: 700 : 1 (typ.)
• Viewing Angles	: -70~70(H); -65~60(V)
• Max Colors	: 16.2M

Input / Output	
• Serial Ports	: 2 x RS232, 1 x RS232/422/485
• USB Ports	: 4 x USB 3.0
• Keyboard / Mouse	: 2 x PS/2
• Ethernet	: 2 x RJ 45-10/100/1000 Mbps
• VGA	: 1 x VGA (female)
• Audio	: Line-Out, Line-In, Mic in

• Default setting: RS232

Environment Considerations	
• Operating Temperature	: 0 deg.C to 50 deg.C
• Operating Humidity	: 30% to 90% (non condensing)

Power Specifications	
• Power Input	: 12V DC IN (Lockable Power Jack)
• Power Consumption	: 87W (typ.)(Max.backlight & high CPU load)

Order Options	
Mechanical : Rack mount PPC	Storage: 2.5" HDD / mSATA SSD
Touch : 5 Wires Resistive (Optional)	RAM : SO-DIMM DDR3
	OS : Windows 7 Embedded
	Windows 8 Embedded
	Windows 10 IoT Enterprise
	DVD : Yes (Optional)

(A customized housing is needed if you have demands of SAW/IR/IT/SC touch)

Accessories	
• External Adapter	: 110~230V Ac-in Power Adapter



SCIGATE AUTOMATION (S) PTE LTD
 No.1 Bukit Batok Street 22 #01-01 Singapore 659592
 Tel: (65) 6561 0488 Fax: (65) 6562 0588
 Email: sales@scigate.com.sg Web: www.scigate.com.sg
 Business Hours: Monday - Friday 8.30am - 6.15pm

