

15" Marine Bridge System Display

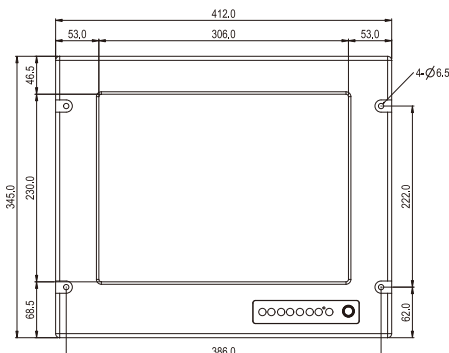
Model # R15L100-MRC3HB

Features:

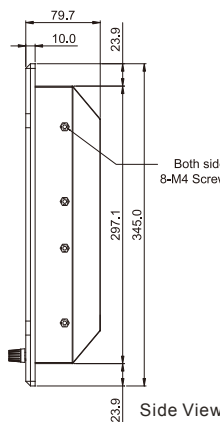
- Hyper Dimming : Dimming knob control backlight brightness from nearly 0% to 100%
- High Brightness LCD Panel : High brightness TFT-LCD panel enhance the best visibility
- Ruggedized IP65 Proof : Panel (flush) mount with IP66 aluminum housing design (IP54 rear)
- Wide Voltage Range Input : 9 to 36V DC to DC power input acceptable (AC power for option)
- Touchscreen/ Protection Glass : High quality touchscreen / AR protection glass for option
- Multiscan Function : PIP(picture in picture) function and multi-video inputs
- IP65 OSD Front Panel Design : Ease of use front panel OSD control
- Anti-Shock and Vibration : Enhanced shock and vibration resistance



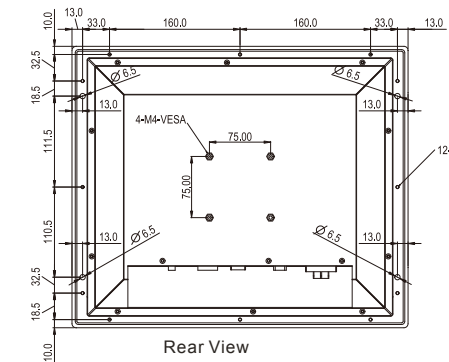
Mechanical Design Drawings



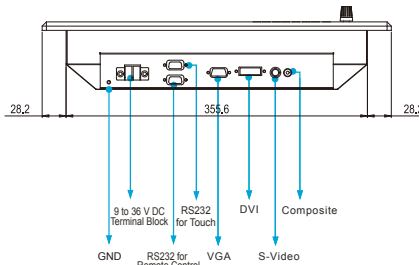
Front View



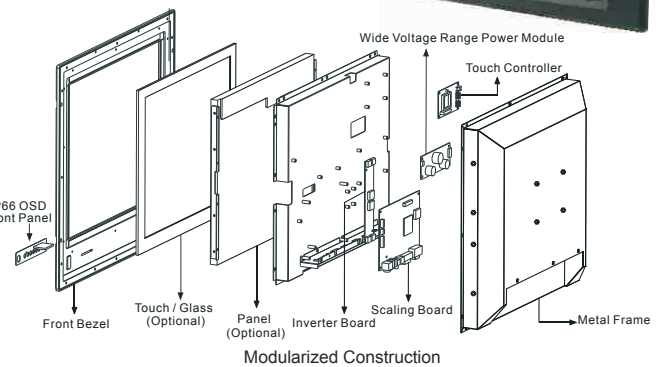
Side View



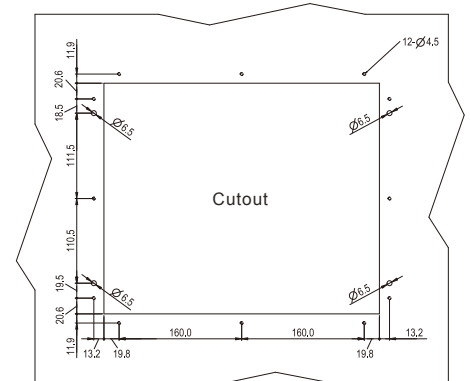
Rear View



Bottom View



Modularized Construction



All Dimensions are ± 0.5 mm

* Note: this is a simplified drawing and some components are not marked in detail. Please contact our sales representative if you need further product information.

TFT Characteristics:

Pixel Number	: 1024 x 768
Pixel Pitch(RGB)	: 0.297 (H) x 0.297 (V) mm
Contrast Ratio	: 700:1 (typ.)
Light Intensity	: 1000 cd/m ² (typ.)
Viewable Angles	: -80~80 (H); -70~70 (V)
Active Display Area	: 304.1 (H) x 228.1 (V) mm
Max Colors	: 16.2M (8bit/colors)

User Controls:

- Power On/Off via front button
- VR Brightness Knob Control
- Power Mode Status LED
- On Screen Display control(OSD)
- OSD Remote Control via RS-232

Power Specifications:

- Power Supply Options : 9 to 36 V DC power supply with Terminal block (Default),
- Power Consumption : 40 W typical, normal operation

Mechanical and Environmental:

- Mechanical Mounting : Panel (Flush) mount with IP66*, VESA, Bracket mounting
- Operating Temperature : -10 to 55 deg.C (-20 to 60 deg.C for optional heating)
- Operating Humidity : 5% to 95% (non condensing)
- Anti-Vibration : 5Hz~500Hz / 1Grms/3 Axis
- Anti-Shock : 15G, 11ms duration
- * SAW touch for IP54

Available Options:

- Touch Screen Options : SAW, 5 Wire Resistive
- AR Safety Glass Options : 3mm Anti-reflective protection glass
- Bracket Mounting Options : Yes (One robust bracket can adjust from -10 to 30 deg.)

Certification and Approvals : CE, FCC



Note: All Specifications are subject to change without prior notice!

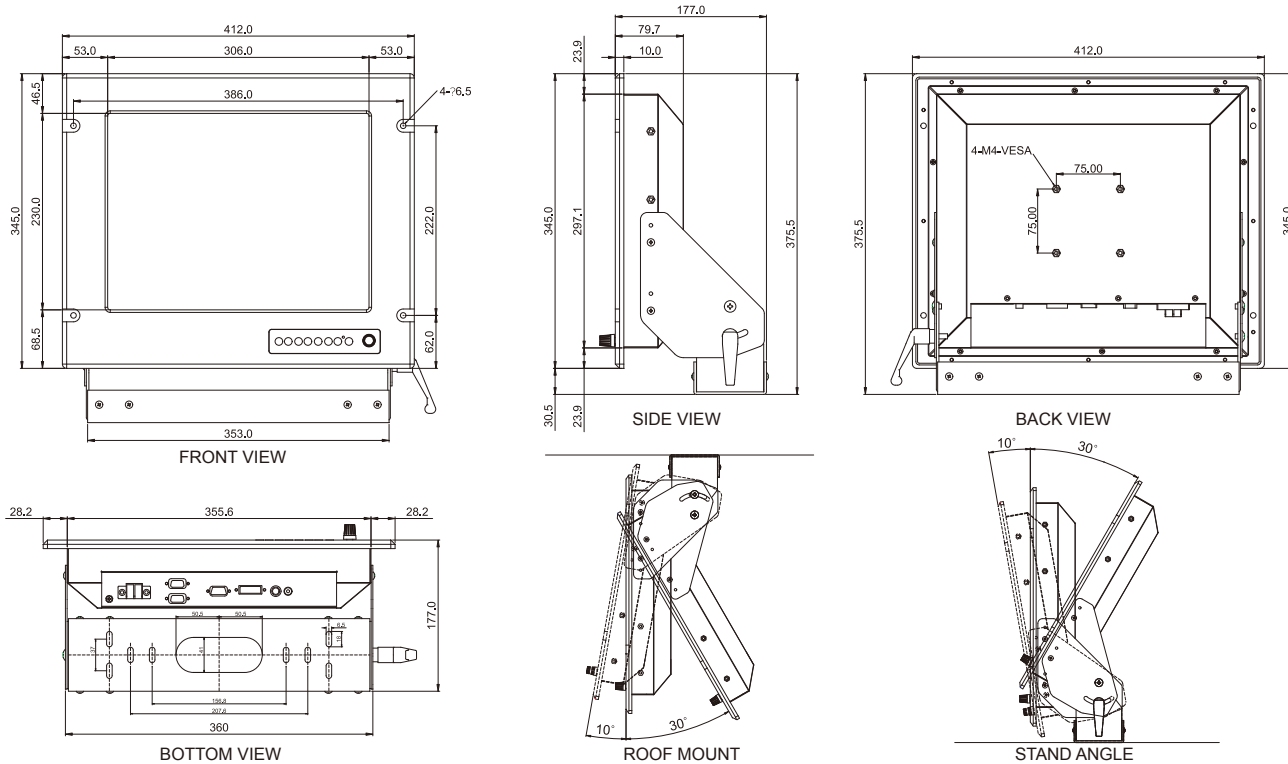
Revised Date : 12-May-2017 V1.1



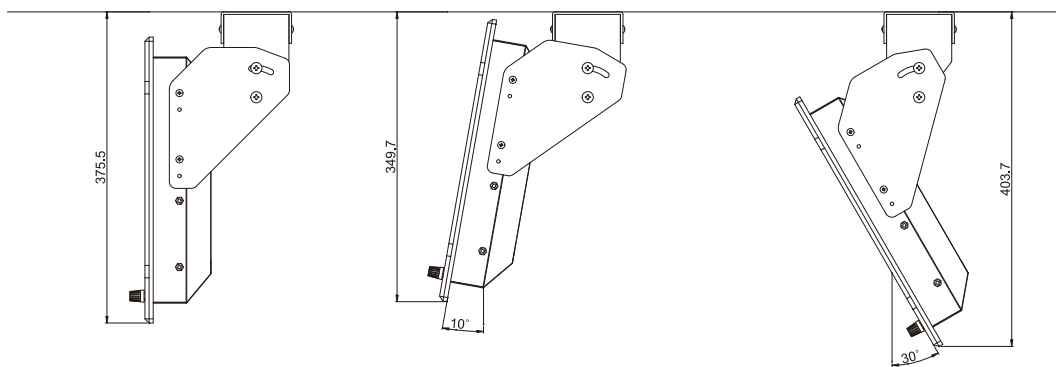
15" Marine Bridge System Display

Model # R15L100-MRC3HB

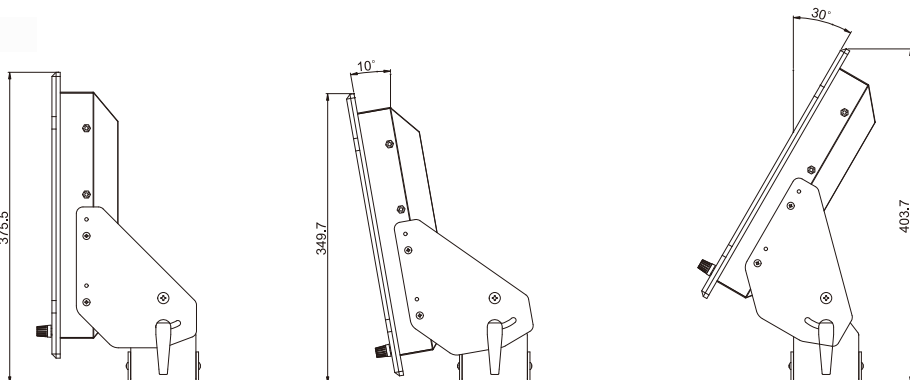
Mechanical Design with Robust Bracket (options)



ROOF MOUNT



STAND ANGLE



All Dimensions are ±0.5 mm

SCIGATE
 Your Automation Partner

SCIGATE AUTOMATION (S) PTE LTD
 No. 1 Bukit Batok Street 22 #01-01 Singapore 659592
 Tel: (65) 6561 0488 Fax: (65) 6562 0588
 Email: sales@scigate.com.sg Web: www.scigate.com.sg
 Business Hours: Monday - Friday 8.30am - 6.15pm

* Note: this is a simplified drawing and some components are not marked in detail. Please contact our sales representative if you need further product information.