

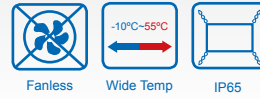
Rugged Display

G-WIN[®]

Model: R15L100-VMC3HB

Product Features:

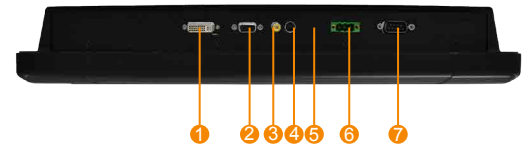
- High Quality 15" XGA panel, 1024 x 768 resolution
- 5 Wire resistive touch screen
- -10 ~ +55°C Wide Range Operating Temperature
- Anti-Corrosion housing with Fanless Design
- Built-in ambient Light sensor
- IP65 Dust & Waterproof Protection (Except I/O ports)
- 9V ~ 36V DC Isolation Wide Range Power Input



Product Specifications:

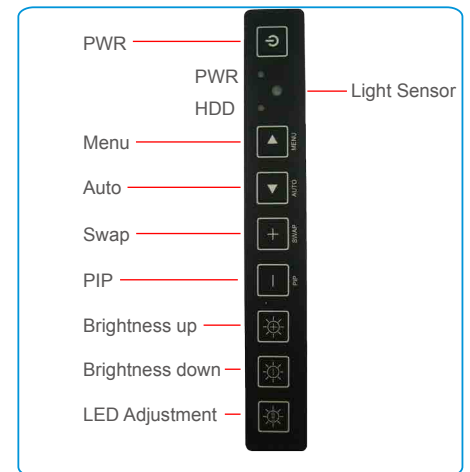
Model Name	R15L100-VMC3HB
Size	15"
Resolution (pixels)	1024 x 768
Number of Colors	16.2M (8 bit) / 262K (6 bit)
Brightness (cd/m ²)	250nits for R15L100-VMC3 Optional 1000nits for R15L100-VMC3HB (High Brightness)
Contrast Ratio	700:1
Viewing Angle	-80~80 (H) ; -60~80 (V)
Active Area	304.1 (H) x 228.1 (V)
Touch (optional)	5 wire resistive / Capacitive
Input / Output	1 x DVI (Optional) 1 x VGA 1 x Composite (Optional) 1 x S-Video (Optional) 1 x DC-in Lockable (Optional) 1 x 9~36V Terminal Block (Default) 1 x RS-232 or USB for Touch (Optional)
Environment	Operating Temperature -10 ~ 55°C Storage Temperature -30 ~ 70°C Humidity 10 ~ 95% non-condensing Shock MIL810F/EN50155 Vibration MIL810F/EN50155 EMC CE, FCC ClassB, Compliance with EN50155 Safety Compliance with EN50155, MIL-STD 810F
Mechanical	Dimension(W x H x D) 398 x 308 x 58mm
Packing List	R2A AD Board User's Manual Touch's Driver CD
Product Optional Items	Signal Input DVI-D, Composite Video, S-Video for optional Anti-Reflective Glass 3 mm (Replace touch) Mounting bracket One robust bracket with locking handle (Can adjust from -5 deg. to 90 deg.)

I / O View:

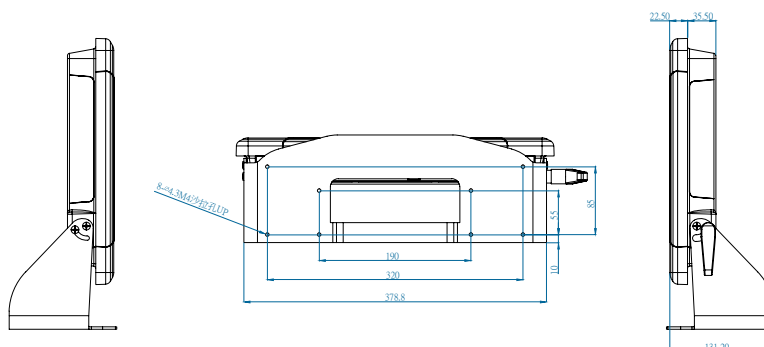
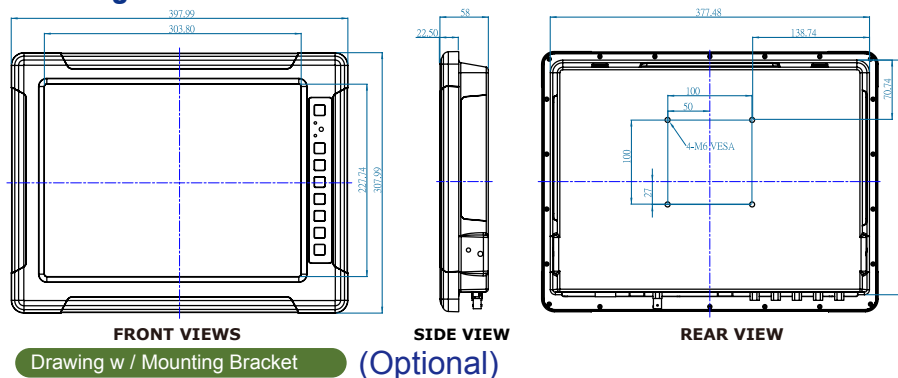


1. DVI (Optional)
2. VGA
3. Composite (Optional)
4. S-Video (Optional)
5. DC Lockable (Optional)
6. 9~36V DC Terminal Block (Default)
7. RS-232 or USB for Touch (Optional)

Front OSD Control Function:



Drawing:



SCIGATE AUTOMATION (S) PTE LTD
 No.1 Bukit Batok Street 22 #01-01 Singapore 659592
 Tel: (65) 6561 0488 Fax: (65) 6562 0588
 Email: sales@scigate.com.sg Web: www.scigate.com.sg
 Business Hours: Monday - Friday 8.30am - 6.15pm