

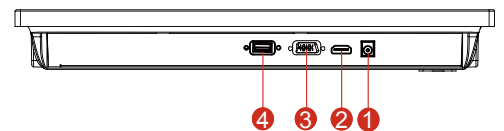
GC65 Display

15" (4:3)

Specifications

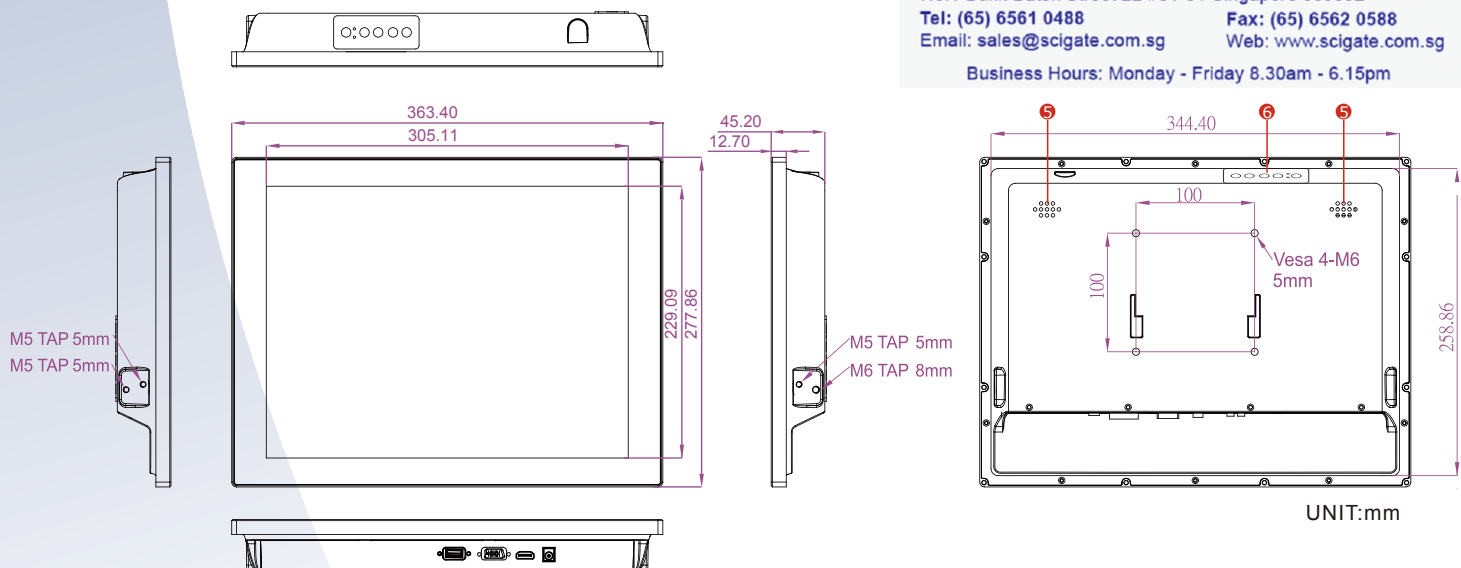


Model Name	R15L600-GCC3(HB)
Viewable Size Image	15" TFT
Active Display Area(mm)	304.1 (H) x 228.1 (V)
Display Resolution	1024x768
Pixel Pitch(mm)	0.297 (H)x0.297(V)
Recommended Resolution	1024x768@60Hz
Contrast Ratio	700:1 (typ.)
Brightness(cd/m ²)	250 cd/m ² (typ.) Optional for High Brightness 1000 cd/m ² (typ.)
Viewing Angle(CR>=10)	-80~80 (H); -70~70 (V)
Power Source	12V DC with External AC to DC Adapter (100~240V AC), Optional 9-36V DC
Power Consumption	20 W typical, normal operation
Power Management	VESA DPMS Compliant
Plug & Play	Yes
Input Ports	1 x VGA, 1 x HDMI, 2 x Audio (Optional)
USB Port (Touch)	1 x USB 2.0
Touch Screen	Projective Capacitive Touch(USB) (optional protection glass)
Operating Temperature	-15°C~55°C
Storage Temperature	-30°C~70°C
Operating Humidity	10%~95% (non-condensing)
IP Rating	Front IP65
Certifications & Standards	CE, FCC



1. 12V DC in (Optional 9-36V DC)
2. HDMI
3. VGA
4. Touch(USB)
5. 2W Speaker x 2
6. OSD Control Panel x 1

Mechanical Drawing



SCIGATE AUTOMATION (S) PTE LTD

No.1 Bukit Batok Street 22 #01-01 Singapore 659592
 Tel: (65) 6561 0488 Fax: (65) 6562 0588
 Email: sales@scigate.com.sg Web: www.scigate.com.sg
 Business Hours: Monday - Friday 8.30am - 6.15pm