

GS65 Display

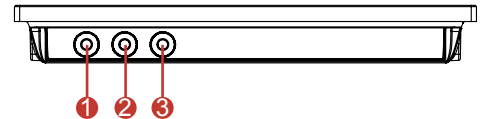


15" (4:3)

Specifications

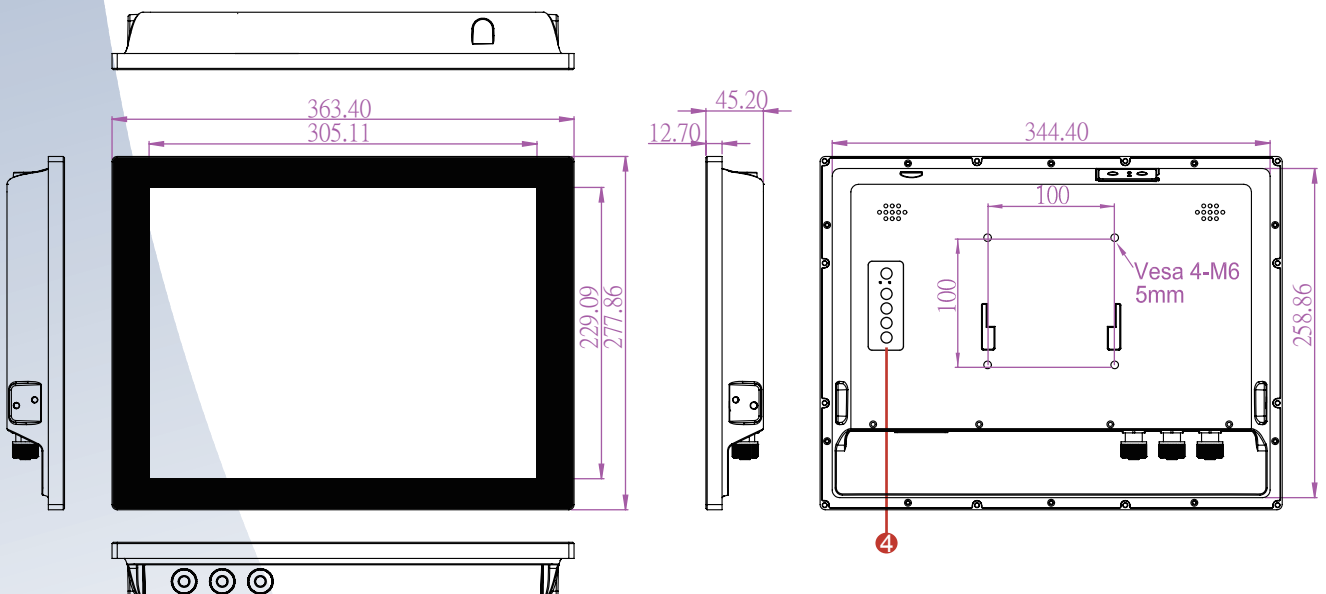


Model Name	R15L600-GSC3(HB)
Viewable Size Image	15" TFT
Active Display Area(mm)	304.1 (H) x 228.1 (V)
Display Resolution	1024x768
Pixel Pitch(mm)	0.297 (H)x0.297(V)
Recommended Resolution	1024x768@60Hz
Contrast Ratio	700:1 (typ.)
Brightness(cd/m ²)	250 cd/m ² (typ.) Optional for High Brightness 1000 cd/m ² (typ.)
Viewing Angle(CR>=10)	-80~80 (H); -70~70 (V)
Power Source	9~36V DC (M12 type)
Power Consumption	20 W typical, normal operation
Power Management	VESA DPMS Compliant
Plug & Play	Yes
Input Ports	1 x VGA, 1 x USB for Touch
Touch Screen	Projective Capacitive Touch(USB) (optional protection glass)
Operating Temperature	-15°C~55°C
Storage Temperature	-30°C~70°C
Operating Humidity	10%~95% (non-condensing)
IP Rating	Full IP65
Shock Operating	30g for 18ms, 300m/s ²
Vibration Operating	1.60/1.96/2.18 g rms for XYZ/ 5-500Hz
Certifications & Standards	Compliant with MIL-STD-810F/G for vibration / shock, CE, FCC



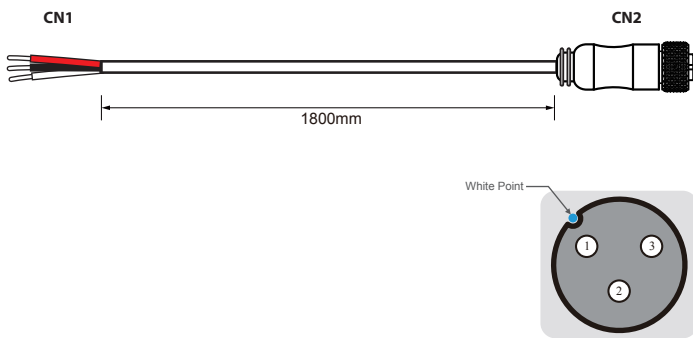
1. 9~36V DC (M12 type)
2. VGA (M12 type)
3. USB For Touch(M12 type),
only with Touch
4. OSD Power

Mechanical Drawing



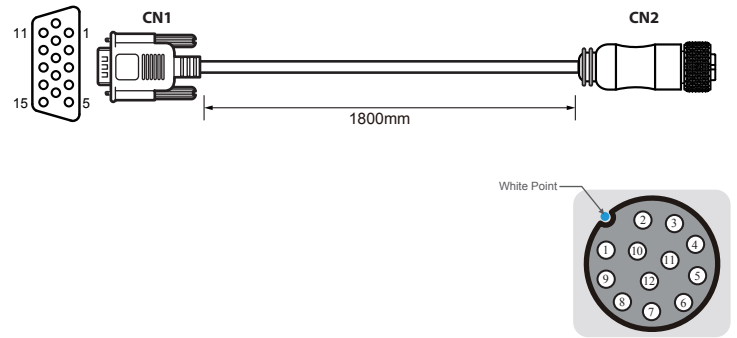
GS65 Display

M12 Power Cable



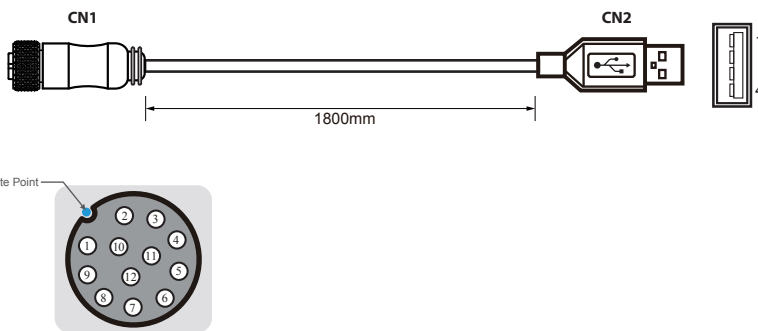
Pin No.	Symbols	Color	↔	Pin No.	Symbols	Color
CN1-1	VCC+	Red		CN2-1	VCC+	Red
CN1-2	GND	Black		CN2-2	GND	Black
CN1-3	VCC-	White		CN2-3	VCC-	White

VGA Cable



Pin No.	Symbols	Color	↔	Pin No.	Symbols	Color
CN1-1	R	Red		CN2-1	R	Red
CN1-6	R-GND	Black		CN2-2	R-GND	Black
CN1-5	G	Green		CN2-3	G	Green
CN1-7	G-GND	Black		CN2-4	G-GND	Black
CN1-3	B	Blue		CN2-5	B	Blue
CN1-8	B-GND	Black		CN2-6	B-GND	Black
CN1-12	SDA	Yellow		CN2-7	SDA	Yellow
CN1-13	HS	Orange		CN2-8	HS	Orange
CN1-14	VS	White		CN2-9	VS	White
CN1-15	SCL	Brown		CN2-10	SCL	Brown

USB for Touch Cable



Pin No.	Symbols	Color	↔	Pin No.	Symbols	Color
CN1-2	VCC	Red		CN2-1	VCC	Red
CN1-3	D-	White		CN2-2	D-	White
CN1-4	D+	Green		CN2-3	D+	Green
CN1-5	GND	Black		CN2-4	GND	Black
CN1-9	GND	Black		CN2 Shell		Black



SCIGATE AUTOMATION (S) PTE LTD

No.1 Bukit Batok Street 22 #01-01 Singapore 659592
 Tel: (65) 6561 0488 Fax: (65) 6562 0588
 Email: sales@scigate.com.sg Web: www.scigate.com.sg

Business Hours: Monday - Friday 8.30am - 6.15pm