

# Winmate M-Series HMI Panel PC

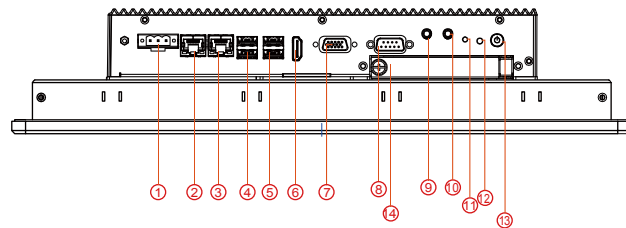
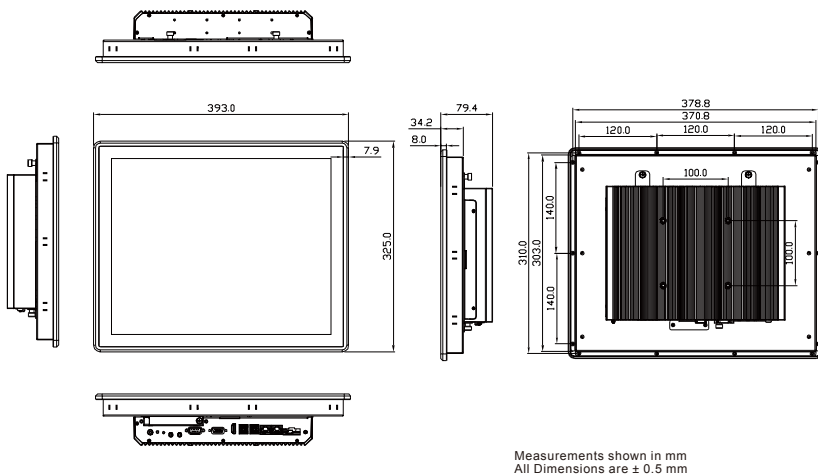
17" M-Series HMI with Intel® Atom™ E3845

R17IBWS-MHM1



## Features:

- Projected Capacitive Multi Touch Screen
- Fanless Design
- Modular Design for easy service in the field
- Support wide range 12-24V isolation DC input
- One Quick & Easy Removable 2.5" SSD Bay Slot



- |                           |                   |
|---------------------------|-------------------|
| 1. 12-24V isolation DC-in | 8. COM1           |
| 2. LAN                    | 9. Audio in       |
| 3. LAN                    | 10. Audio out     |
| 4. USB 2.0 x2             | 11. HDD indicator |
| 5. USB 2.0 x2             | 12. Reset         |
| 6. HDMI output            | 13. Power Button  |
| 7. VGA output             | 14. 2.5" SSD Bay  |

\* Note: this is a simplified drawing and some components are not marked in detail.  
Please contact our sales representative if you need further product information.

## System Specification

Processor	: Intel® Atom™ E3845 Processor; 2M Cache up to 1.91 GHz
BIOS	: AMI UEFI BIOS
System Memory	: SODIMM DDR3L-1600 4GB, option up to 8GB (2 slots)
Graphic Chipset	: Intel® HD graphics 4400
Ethernet	: 1000 Base-Tx Gigabit Ethernet Compatible
Audio	: Realtek ALC886 codec
USB	: 4 x USB 2.0
Serial Port	: 1 x RS232/ 422 / 485 selectable by jumper
Main Storage	: Default 2.5" 64GB SSD, optional up to 128GB
Second Storage (Optional)	: Internal mSATA 64 ~ 256GB SSD
Touch Screen	: Projected Capacitive
Operating system (optional)	: Windows Embedded Standard 7 Windows Embedded 8 Standard Windows 10 IoT Enterprise

## Display Specification

Display Size	: 17"
Active Display Area	: 337.9(H) x 270.3(V)
Pixel Pitch	: 0.264(H) x 0.264(V)
Display Color	: 16.2M
Resolution	: 1280 x 1024
Brightness	: 350 nits
Contrast Ratio	: 1000:1 (Typ.)
Viewing Angle	: 85/85/80/80

## Mechanical Specification

Mouting	: Wall Mount / VESA Mount
Dimension	: 398.16 (L) x 330.54 (W) x 79.6 (H)

## Power Supply

Power Input	: 12-24V isolation DC in with protection Fuse
Power Adapter	: 110-240AC to 12V DC out 80W power Adapter

## Environmental Specification

Operation Temperature	: 0~ 50°C
Operating Humidity	: 30%-95% at 40°C(non-condensing, RH)
Water Proof	: Front: IP65; Rear: IP20 / Fanless

## I/O Connectors

I/O Connectors	: 12-24V isolation DC in x1 (Terminal Block 3pin)
	Gigabite LAN x2
	USB2.0 x4
	HDMI Output x1
	D-Sub15 (VGA) Output x1
	RS232/422/485 selectable serial port x1
	Audio in Jack x1
	Audio out Jack x1
	Reset key x1
	Power Button x1
	2.5" SSD Slot x1

## Accessories

- Mounting clips & screws
- 12V 80W power adapter
- Power cord
- Driver CD



**SCIGATE AUTOMATION (S) PTE LTD**  
 No.1 Bukit Batok Street 22 #01-01 Singapore 659592  
 Tel: (65) 6561 0488 Fax: (65) 6562 0588  
 Email: sales@scigate.com.sg Web: www.scigate.com.sg  
 Business Hours: Monday - Friday 8.30am - 6.15pm