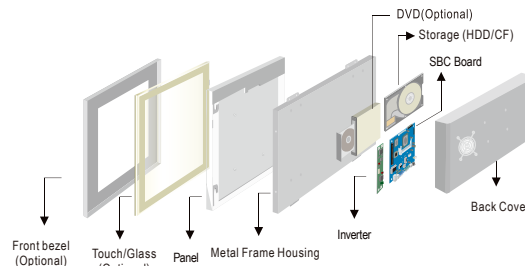


# R17IC7T-CHM1 17" Panel PC (Intel® Core™ i7-620M/i5-520M)

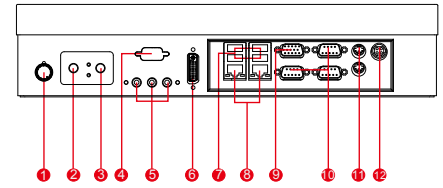
Mechanical Design



Chassis



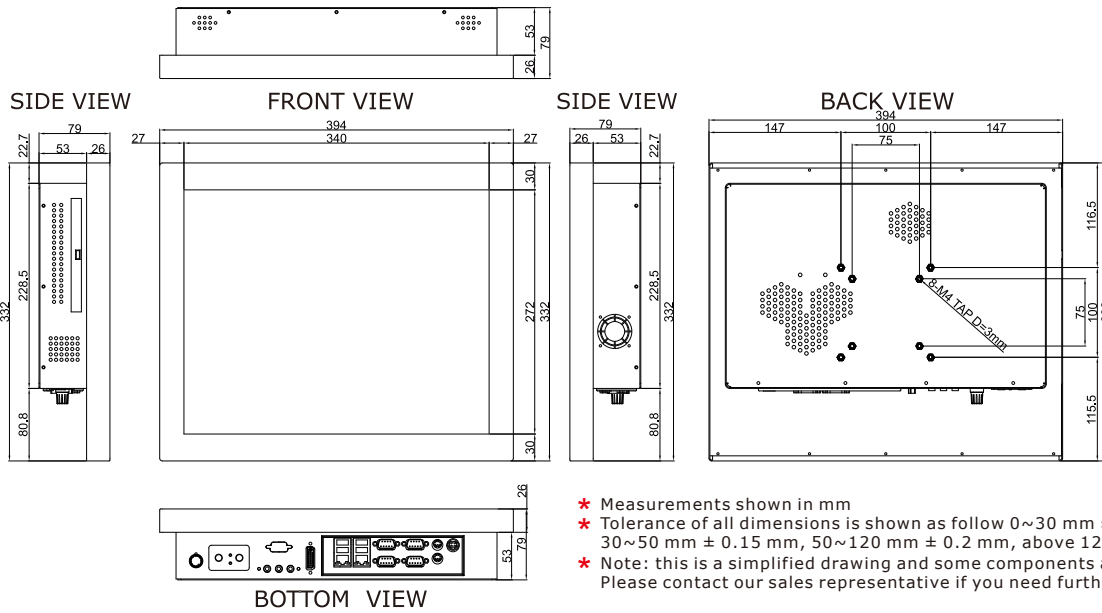
Mechanical design



1. Brightness Adjustment Knob
2. Power Reset Button
3. Power On Button
4. RS-232 Conn.(Optional)
5. Audio Jack
6. DVI (Optional)
7. USB
8. RJ-45
9. VGA Out
10. RS-232 Conn.
11. PS/2
12. 12V DC IN

Fully Integrated I/O

## Dimensions



- \* Measurements shown in mm
- \* Tolerance of all dimensions is shown as follow 0~30 mm ± 0.1 mm, 30~50 mm ± 0.15 mm, 50~120 mm ± 0.2 mm, above 120 mm ± 0.25 mm
- \* Note: this is a simplified drawing and some components are not marked in detail. Please contact our sales representative if you need further product information.

## Specifications

### System :

- CPU : Intel® Core™ i7-620M/i5-520M Processor (2.66GHz / 2.4GHz)
- Memory : 2 x SO-DIMM, Max 8GB DDR3 1066/800
- System Chipset : Intel® HM55 Chipset
- Storage : 2 x SATA II
- LAN : Dual Broadcom BCM57780 GbE
- Audio Codec : Realtek ALC886 HD Audio Codec

### Panel Spec :

- Size/Type : 17" TFT
- Resolutions : 1280 x 1024
- Brightness : 350 cd/m<sup>2</sup> (typ.)
- Contrast Ratio : 1000 : 1(typ.)
- Viewing Angles : -85~85(H);-80~80(V)
- Max Colors : 16.7M (6bits+FRCC)

### Input / Output :

- Serial Ports : 2 x RS232, 1 x RS232/422/485
- USB Ports : 4 x USB
- Keyboard / Mouse : 2 x PS/2
- Ethernet : 2 x RJ 45-10/100/1000 Mbps
- VGA : 1 x VGA (female)
- Audio : Line-Out, Line-In, Mic in

• Default setting:RS232

### Environment Considerations :

- Operating Temperature : 0 deg.C to 50 deg.C
- Operating Humidity : 30% to 90% (non condensing)

### OS BSP / Driver Support :

- Support : Windows 7 / Windows XP Embedded / Windows XPP Embedded / Linux 2.6

### Expansion Slot :

- 1 x PCI-E(x16), 2 x Mini PCI-E

### Power Specifications :

- Power Input : 12V DC IN
- Power Consumption : 124W (typ.)(Max.backlight & high CPU load)

### Accessories :

- External Adapter : 110~240V Ac-in power adapter

### Order Options :

- |                                     |  |
|-------------------------------------|--|
| Mechanical : Chassis                | Storage : <b>3.5" HDD 250G</b>   |
| Touch : 5 Wires Resistive(Optional) | RAM : SO-DIMM DDR3 1066/800  |
|                                     | OS : Windows XPE (Optional)<br>Windows XPPE (Optional)<br>Windows 7 (Optional)<br>Linux (Optional) |
|                                     | DVD : Yes(Optional)  |

(A customized housing is needed if you have demands of SAW/IR/SC/IT touch)



**SCIGATE AUTOMATION (S) PTE LTD**  
 No. 1 Bukit Batok Street 22 #01-01 Singapore 659592  
 Tel: (65) 6561 9488 Fax: (65) 6562 0588  
 Email: sales@scigate.com.sg Web: www.scigate.com.sg  
 Business Hours: Monday - Friday 8.30am - 6.15pm



Note: All Specifications are subject to change without prior notice!

Revised date: 11-May-2017 V1.5