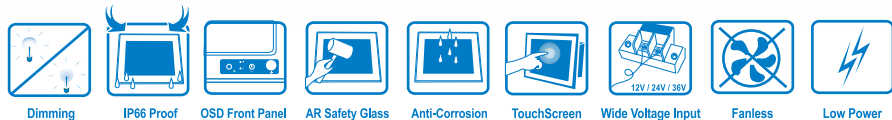


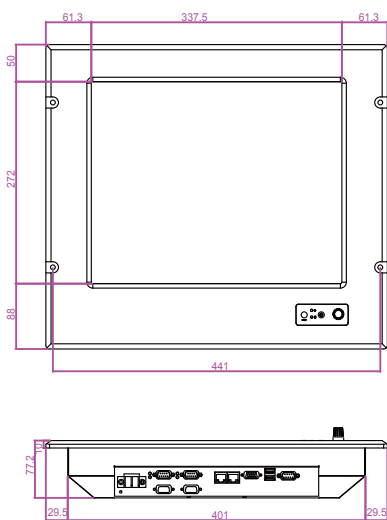
# 17" Marine Panel PC

Model#: R17ID3S-MRM1

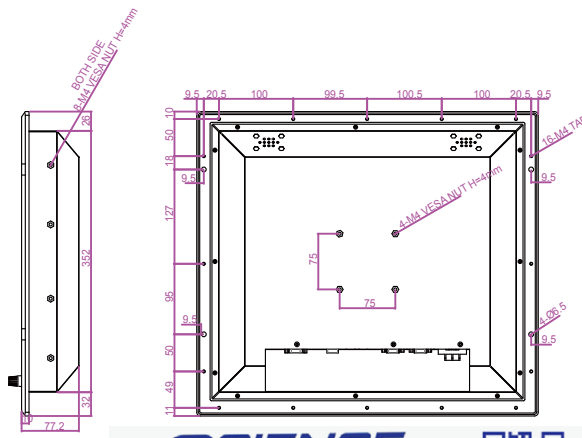


## Feature

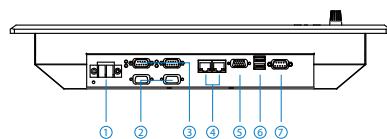
- 17" SXGA 1280 x 1024 TFT LCD
- Intel® Atom Dual Core N2600 1.6GHz Processor
- 1 x SO-DIMM, max. 4GB DDR3 800/1066
- 2 x Isolated RS422/485 (optional)
- Integrated Dual Broadcom BCM57780 GbE Controller
- Isolated Power Module



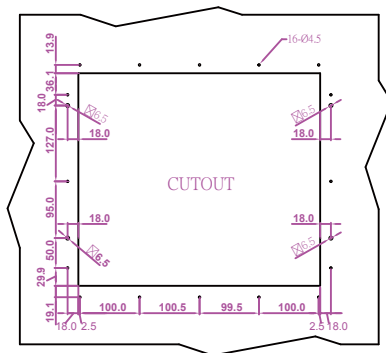
FRONT VIEW



SIDE VIEW



1. 1 x 9~36V DC input
2. 2 x RS232
3. 2 x Isolation-RS422/485 (optional)
4. 2 x RJ45
5. 1 x VGA out put
6. 2 x USB
7. 1 x RS232/422/485



CUT OUT DIMENSION

**SCIENCE GATE**  
Your Automation Partner

**SCIGATE AUTOMATION (S) PTE LTD**  
No.1 Bukit Batok Street 22 #01-01 Singapore 659592  
Tel: (65) 6561 0488 Fax: (65) 6562 0588  
Email: sales@scigate.com.sg Web: www.scigate.com.sg  
Business Hours: Monday - Friday 8.30am - 6.15pm

\* Note: this is a simplified drawing and some components are not marked in detail. \*Please contact our sales representative if you need further product information.

### TFT Characteristics :

|                     |                             |
|---------------------|-----------------------------|
| Pixel Number        | : 1280 x 1024               |
| Pixel Pitch(R&B)    | : 0.264 (H) x 0.264 (V) mm  |
| Contrast Ratio      | : 1000:1(typ.)              |
| Light Intensity     | : 350cd/m2 (typ.)           |
| Viewable Angle      | : -85 ~ 85(H) ; -80 ~ 80(V) |
| Active Display Area | : 337 (H) x 270 (V) mm      |
| Max Colors          | : 16.7 (M) / 6 bit / colors |

### SBC Specifications :

|                 |  |
|-----------------|--|
| Processor       | : Intel® Atom Dual Core N2600 1.6GHz         |
| BIOS            | : AMI 4Mbit Flash                            |
| System Chipset  | : Intel® NM10 express chipset                |
| Memory Slot     | : 1 x DDR3 800/1066MHz SODIMM,(Max 4GB)      |
| Graphic Chipset | : Intel® Graphic Accelerator 3650            |
| Storage         | : 1 x SATA2, 1 x Mini PCIe slot (mSATA SSD)  |
| Ethernet        | : 2x RJ-45(1000 Gigabit Ethernet Compatible) |
| VGA             | : 1x VGA Connector                           |
| Audio           | : Realtek ALC886 HD Audio Codec              |
| USB Ports       | : 6 x USB 2.0 (4 x USB by pin-header)        |
| Serial Ports    | : 4 x RS232, 1 x RS232/422/485               |
| DVI             | : 1 x DVI by 2x10 DB-13 wafer connector      |

### Power Specifications :

|                      |   |
|----------------------|---|
| Power Supply Options | : 9 to 36 V DC power supply with Terminal block (Default) |
| Power Consumption    | : 110 W typical, normal operation                         |
| External Adapter     | : 110~230V Ac-in Power Adapter                            |

### Mechanical and Environmental

|                       |  |
|-----------------------|--|
| Mechanical Mounting   | : Panel (Flush) mount with IP66*, VESA, Bracket mounting |
| Operating Temperature | : -15 to 55 deg.C  |
| Operating Humidity    | : 5% to 95%(non condensing)                              |
| Anti-Vibration        | : 5Hz~500Hz / 1Grms / 3 Axis                             |
| Anti-Shock            | : 15G,11ms duration                                      |

### Input / Output Connectors

|                    |   |
|--------------------|---|
| Ethernet LAN       | : 2 x RJ45-10/100/1000 Mbps             |
| COM                | : 2 x RS232, 1 x RS232/422/485          |
| Isolated RS422/485 | : 2 x Isolated RS422/485 COM (optional) |
| USB                | : 2 x USB Type-A receptable             |
| VGA output         | : 1 x VGA 15P D-SUB (female)            |
| DC Power           | : 1 x DC Terminal block                 |

### Available Options

|                         |  |
|-------------------------|--|
| Touch Screen Options    | : 5 Wire Resistive                                       |
| AR Safety Glass Options | : 3mm Anti-reflective protection glass                   |
| Bracket Stand options   | : Yes(One robust bracket can adjust from -10 to 30 deg.) |
| Secondary SSD           | : up to 256 GB mSATA SSD                                 |

### Certification and Approvals

- CE, FCC, DNV2.4

