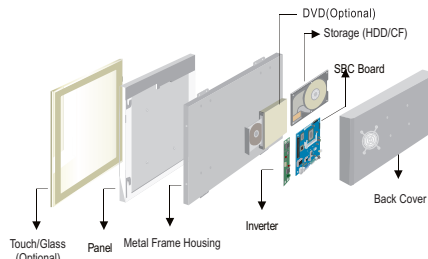


R17ID7T-OFM1 17" Panel PC (Intel Atom® Dual Core D2550+NM10 Platform)

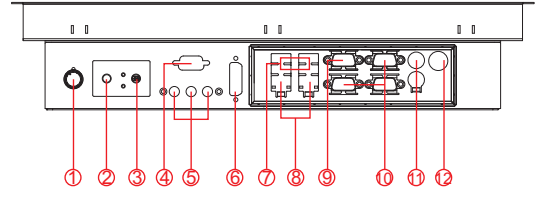
Mechanical Design



Open Frame

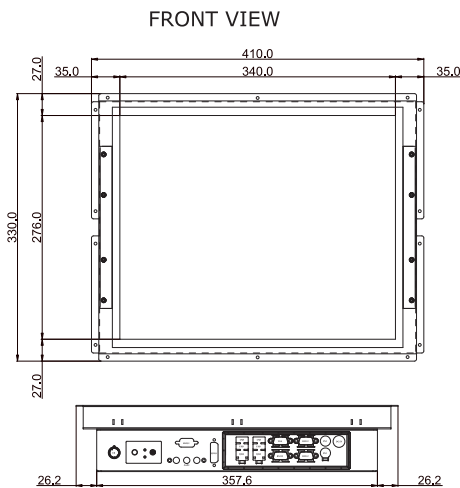


Modularized Construction



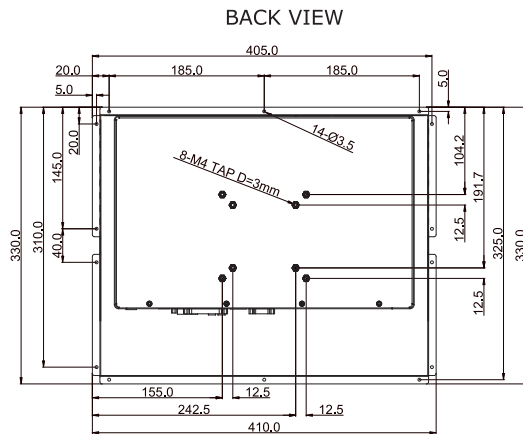
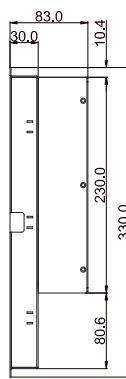
1. Brightness Adjustment Knob
2. Power On Button
3. Power Reset Button
4. RS-232 Conn. (Optional)
5. Audio Jack
6. DVI (Optional)
7. USB
8. LAN
9. VGA
10. RS-232 Conn.
11. PS/2
12. 12V DC-in

Fully Integrated I/O



BOTTOM VIEW

Dimensions



- * Measurements shown in mm
- * Tolerance of all dimensions is shown as follow 0~30 mm ± 0.1 mm, 30~50 mm ± 0.15 mm, 50~120 mm ± 0.2 mm, above 120 mm ± 0.25 mm
- * Note: this is a simplified drawing and some components are not marked in detail. Please contact our sales representative if you need further product information.

Specifications

System :

- CPU : Intel® Atom Dual Core D2550 1.86GHz Processor
- Memory Slot : DDR3 1600 MHz SO-DIMM Slot, Max. 4GB
- System Chipset : NM10
- IDE/SATA : 2 x SATA
- LAN : Dual Broadcom BCM57780 GbE controller
- Audio Codec : Realtek ALC886 HD Audio Codec

Input / Output :

- Serial Ports : 2 x RS232, 1 x RS232/422/485
- USB Ports : 4 x USB Type-A Receptacle
- Keyboard / Mouse : 2 x PS/2
- Ethernet : 2 x RJ45-10/100/1000 Mbps
- VGA : 1 x VGA (female)
- Audio : Line-out, Line-in, Mic in

• Default setting: RS232

Expansion Slot :

- 2 x Mini PCIe (1 for WiFi, 1 for 3G Module), 1 x PCI
- * A customized housing is needed if you would like to have the PCI expansion.

Power Specifications :

- Power Input : 12V DC IN
- Power Consumption : 65W (typ.) (Max. backlight & high CPU load)

Accessories :

- External Power Supply 120W w/power cord

Panel Spec :

- Size/Type : 17" TFT
- Resolutions : 1280 x 1024
- Brightness : 350 cd/m²(typ.)
- Contrast Ratio : 1000 : 1(typ.)
- Viewing Angle : -85~85(H); -80~80(V)
- Max. Colors : 16.7M (6bits+FRG)

Environment Considerations :

- Operating Temperature : 0 deg.C to 50 deg.C
- Operating Humidity : 30% to 90% (non condensing)

OS BSP / Driver Support :

- Support Windows 7 embedded / Windows XP embedded

Order Options :

Mechanical : Open Frame Panel Mount(8 mm bezel) IP65(8 mm bezel)	Storage : 2.5" HDD/ 2.5" SSD RAM : DDR3 1600 Max 4GB OS : Windows 7 embedded / Windows XP embedded (Optional)
Touch : 5-Wires Resistive(Optional)	

(A customized housing is needed if you have demands of SAW/IR/IT/SC touch)



SCIGATE AUTOMATION (S) PTE LTD

No.1 Bukit Batok Street 22 #01-01 Singapore 659592
 Tel: (65) 6561 0488 Fax: (65) 6562 0588
 Email: sales@scigate.com.sg Web: www.scigate.com.sg

Business Hours: Monday - Friday 8.30am - 6.15pm



03-Jun-2016 V1.7

Note: All Specifications are subject to change without prior notice!