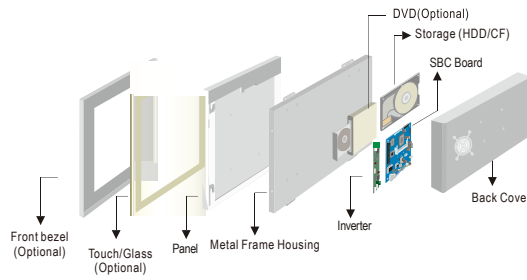


R17IH7T-PMM1 17" Panel PC (Intel® 4th Generation Core™ i5)

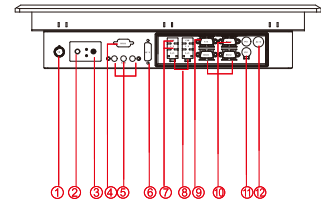
Mechanical Design



**Panel Mount
(8 mm front bezel)**



Mechanical design

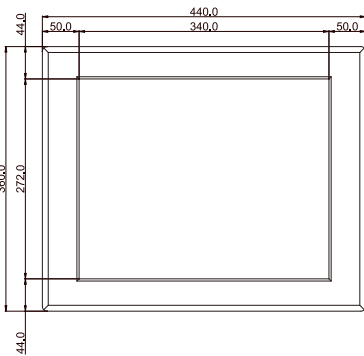


1. Brightness Adjustment Knob
2. Power On Button
3. Power Reset Button
5. Audio Jack
6. DVI (Optional)
7. USB
8. RJ-45
9. VGA Out
10. RS-232 Conn. (Optional)
11. PS/2
12. 12V DC IN

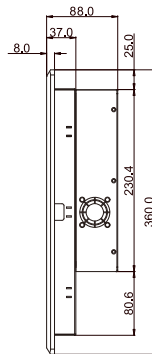
Fully Integrated I/O

Dimensions

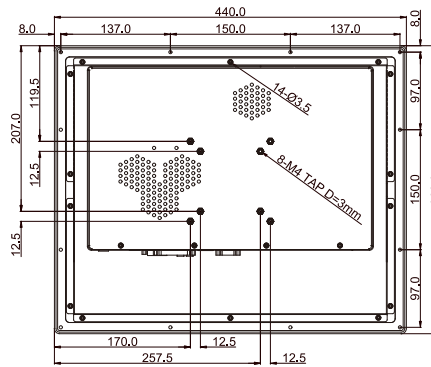
FRONT VIEW



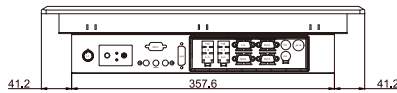
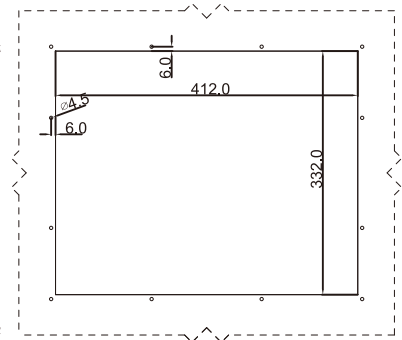
SIDE VIEW



BACK VIEW



IP65 CUT OUT



BOTTOM VIEW

- * Measurements shown in mm
- * Tolerance of all dimensions is shown as follow 0~30 mm ± 0.1 mm, 30~50 mm ± 0.15 mm, 50~120 mm ± 0.2 mm, above 120 mm ± 0.25 mm
- * Note: this is a simplified drawing and some components are not marked in detail. Please contact our sales representative if you need further product information.

Specifications

System

- CPU : Intel® 4th Generation Core™ i5-4200M 2.5GHz (Max. 3.1GHz) Processor
- Memory Slot : 2 x SO-DIMM, Max 16GB DDR3L 1333/1600
- System Chipset : Intel® QM87 Chipset
- IDE/SATA : 2XSATA III
- LAN : Intel® Ethernet Controller I211-AT + Intel® Gigabit Ethernet PHY I218-LM
- Audio Codec : Realtek ALC886 HD Audio Codec

Panel Spec

- Size/Type : 17" TFT
- Resolutions : 1280 x 1024
- Brightness : 350 cd/m² (typ.)
- Contrast Ratio : 1000 : 1 (typ.)
- Viewing Angles : -85~85(H); -80~80(V)
- Max Colors : 16.7M (6bits+FRC)

Input / Output:

- Serial Ports : 2 x RS232, 1 x RS232/422/485
- USB Ports : 4 x USB 3.0
- Keyboard / Mouse : 2 x PS/2
- Ethernet : 2 x RJ45-10/100/1000 Mbps
- VGA : 1 x VGA (female)
- Audio : Line-out, Line-in, Mic in

• Default setting: RS232

Environment Considerations

- Operating Temperature : 0 deg.C to 50 deg.C
- Operating Humidity : 30% to 90% (non condensing)

Expansion Slot

- 2 x Mini PCIe (1 for WiFi, 1 for 3G Module), 1 x PCIe x 16

* Customized housing required if you need to have the PCI expansion

Order Options

Mechanical : Open Frame	Storage: 2.5" HDD / mSATA SSD
Panel Mount(8 mm bezel)	RAM : SO-DIMM DDR3
IP65(8 mm bezel)	OS : Windows 10 IoT Enterprise
Touch : 5-Wires Resistive(Default)	Windows 8 Embedded
AR Glass(Optional)	Windows 7 Embedded
(Customized housing required if you have the demand of SAW/IR/IT/SC touch)	DVD : Yes(Optional)

Power Specifications

- Power Input : 12V DC IN
- Power Consumption : 63W(typ.)(Max.backlight & high CPU load)

Accessories

- External Adapter : 110~240V Ac-in power adapter



SCIGATE AUTOMATION (S) PTE LTD
 No.1 Bukit Batok Street 22 #01-01 Singapore 659592
 Tel: (65) 6561 0488 Fax: (65) 6562 0588
 Email: sales@scigate.com.sg Web: www.scigate.com.sg
 Business Hours: Monday - Friday 8.30am - 6.15pm

