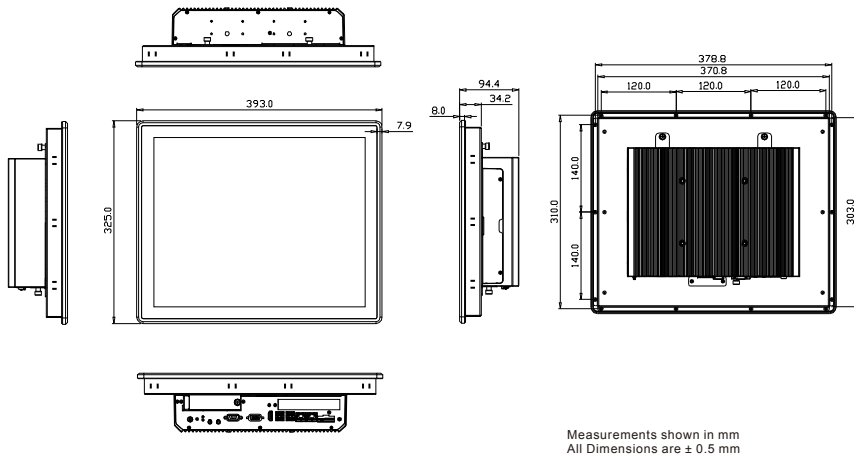


Winmate M-Series HMI Panel PC

17" M-Series HMI with Intel® Core™ i5-5200U

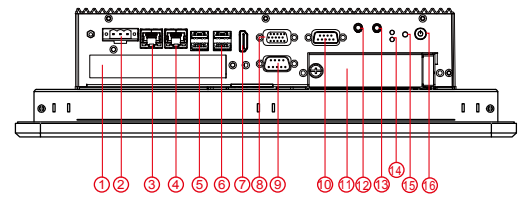
R17IHWS-MHM1



Measurements shown in mm
All Dimensions are ± 0.5 mm

Features:

- Projected Multi Touch Screen
- Fanless Design
- Modular Design for easy service in the field
- Support wide range 12-24V isolation DC input
- Two Quick & Easy Removable 2.5" SSD Bay Slots
- Support PCIe x4 Card



1. PCIe Slot cover for PCIe x4 (1 x Half-Length PCIe card)
2. 12-24V isolation DC-in
3. LAN
4. LAN
5. USB 3.0 x 2
6. USB 3.0 x 2
7. HDMI output
8. VGA output
9. COM2
10. COM1
11. 2.5" SSD Bay x 2
12. Audio out
13. Audio in
14. HDD indicators
15. Reset
16. Power Button

* Note: this is a simplified drawing and some components are not marked in detail. Please contact our sales representative if you need further product information.

System Specification

Processor	: Intel® Core™ i5-5200U Processor; 3M Cache up to 2.70 GHz
BIOS	: AMI UEFI BIOS
System Memory	: SODIMM DDR3L-1600 4GB, option up to 8GB (2 slots)
Graphic Chipset	: Intel HD graphics 5500
Ethernet	: 1000 Base-Tx Gigabit Ethernet Compatible
Audio	: Realtek ALC886 codec
Expansion Slot	: 1 x PCIe x 4
Main Storage	: Default 2.5" 64GB SSD, optional larger SSD
Second Storage (optional)	: Internal mSATA 64 ~ 256GB SSD
Touch Screen	: Projected Capacitive
Operating system (optional)	: Windows Embedded Standard 7 Windows Embedded 8 Standard Windows 10 IoT Enterprise

Display Specification

Display Size	: 17"
Active Display Area	: 337.9 (H) x 270.3(V)
Pixel Pitch	: 0.264(H) x 0.264(V)
Display Color	: 16.2M
Resolution	: 1280 x 1024
Brightness	: 350 nits
Contrast Ratio	: 1000:1 (Typ.)
Viewing Angle	: 85/85/80/80

Mechanical Specification

Mouting	: Wall Mount / VESA Mount
Dimension	: 398.16 (L) x 330.54 (W) x 94.6 (H)

Power Supply

Power Input	: 12-24V isolation DC in with protection Fuse
Power Adapter	: 110-240AC to 12V DC out 80W power Adapter

Environmental Specification

Operation Temperature	: 0~ 50°C
Operating Humidity	: 30%-95% at 40°C (non-condensing, RH)
Water Proof	: Front: IP65; Rear: IP20 / Fanless

I/O Connectors

I/O Connectors	: 12-24V isolation DC in x 1 (Terminal Block 3pin) Gigabit LAN x 2 USB3.0 x 4 HDMI Output x 1 D-Sub15 (VGA) Output x 1 RS232/422/485 selectable serial port x 1 RS232 isolation serial port x 1 Audio in Jack x 1 Audio out Jack x 1 Reset key x 1 Power Button x 1 2.5" SSD indicators x 2
----------------	--

Accessories

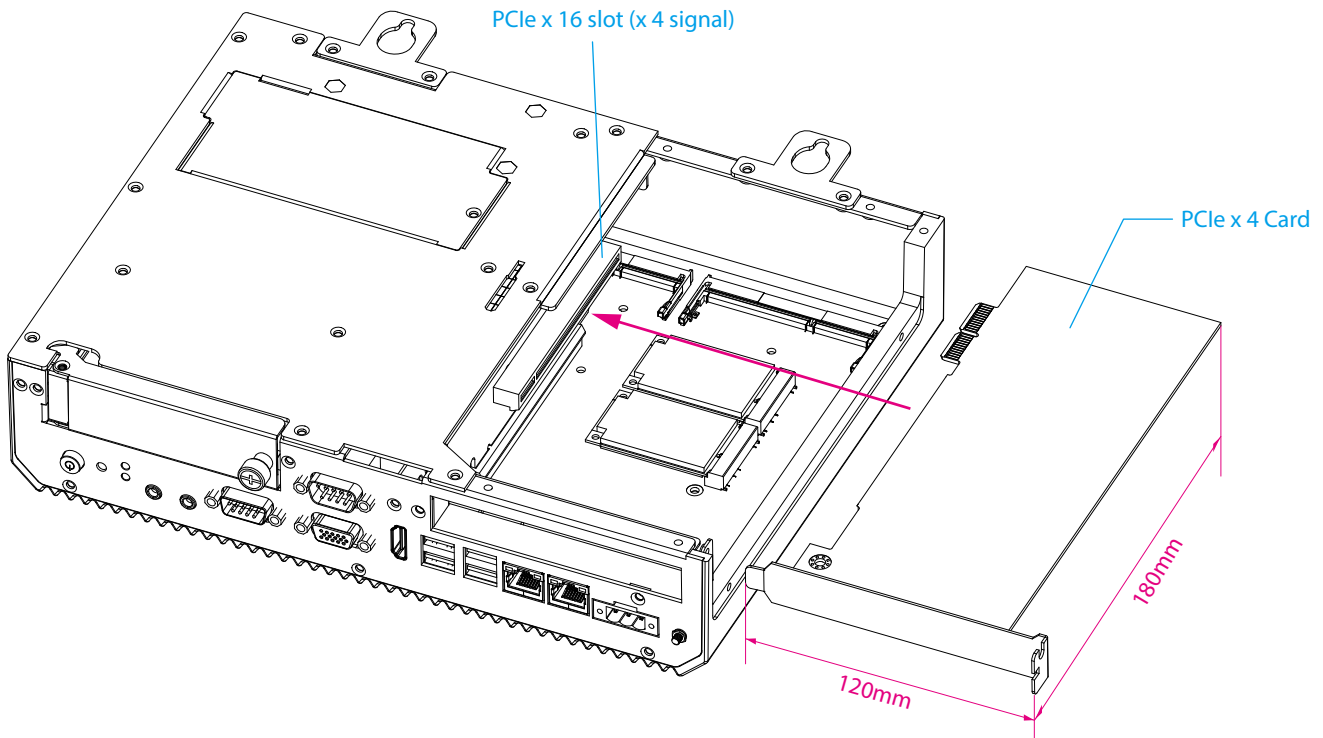
- Mounting clips & screws
- 12V 80W power adapter
- Power cord
- Driver CD

Winmate M-Series HMI Panel PC

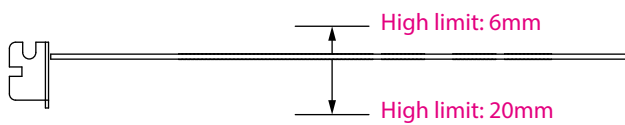
17" M-Series HMI with Intel® Core™ i5-5200U

R17IHWS-MHM1

Expansion PCIe card dimension info.



PCIe card height limit



SCIGATE AUTOMATION (S) PTE LTD

No.1 Bukit Batok Street 22 #01-01 Singapore 659592

Tel: (65) 6561 0488

Fax: (65) 6562 0588

Email: sales@scigate.com.sg

Web: www.scigate.com.sg

Business Hours: Monday - Friday 8.30am - 6.15pm

Revised date: 26-Jul-2017 V1.3