

# R17IV7T-OFM1

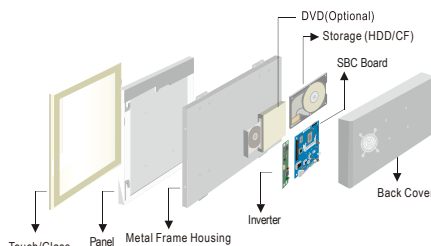
## 17" Panel PC

(Intel® 3rd Generation Core™ i7/i5/i3)

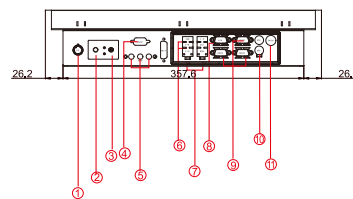
Mechanical Design



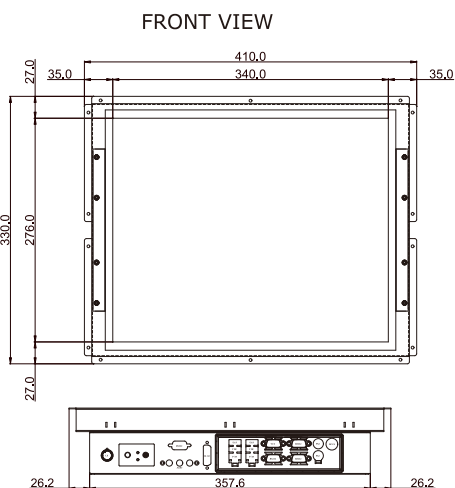
Open Frame



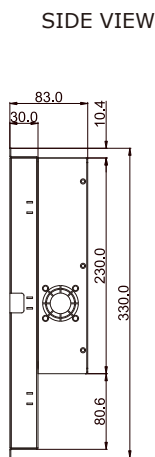
Modularized Construction



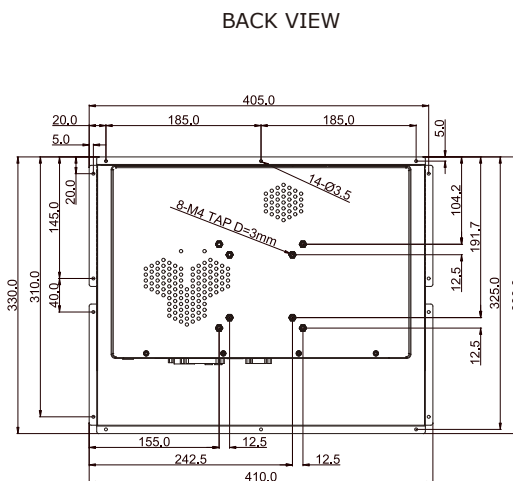
1. Power On Button
2. Brightness Adjustment Knob
3. Power Reset Button
4. RS-232 Conn.(Optional)
5. Audio JACK
6. USB
7. RJ-45
8. VGA OuT
9. RS-232 Conn.
10. PS/2
11. 12V DC IN



FRONT VIEW



SIDE VIEW



BACK VIEW

- \* Measurements shown in mm
- \* Tolerance of all dimensions is shown as follow 0~30 mm ± 0.1 mm, 30~50 mm ± 0.15 mm, 50~120 mm ± 0.2 mm, above 120 mm ± 0.25 mm
- \* Note: this is a simplified drawing and some components are not marked in detail. Please contact our sales representative if you need further product information.

### Specifications

#### System:

- CPU : Intel® 3rd Generation Core™ i7/i5/i3
- Memory : 2 x SO-DIMM, Max 16GB DDR3L 13333/1600
- System Chipset : Intel® HM76 Chipset
- Storage : 1 x SATAIII, 1 x SATAII, 1 x mSATA
- LAN : Dual Broadcom BCM57780 GbE
- Audio Codec : Realtek ALC886 HD Audio Codec

#### Panel Spec:

- Size/Type : 17" TFT
- Resolutions : 1280 x 1024
- Brightness : 350 cd/m<sup>2</sup> (typ.)
- Contrast Ratio : 1000 : 1(typ.)
- Viewing Angles : -85~85(H);-80~80(V)
- Max Colors : 16.7M (6bits+FRC)

#### Input / Output:

- Serial Ports : 2 x RS232, 1 x RS232/422/485
  - USB Ports : 4 x USB3.0
  - Keyboard / Mouse : 2 x PS/2
  - Ethernet : 2 x RJ 45-10/100/1000 Mbps
  - VGA : 1 x VGA (female)
  - Audio : Line-Out, Line-In, Mic in
- Default setting:RS232

#### Environment Considerations:

- Operating Temperature : 0 deg.C to 50 deg.C
- Operating Humidity : 30% to 90% (non condensing)

#### OS BSP / Driver Support:

- Support Windows XP Embedded / Windows 7 Embedded / Windows 8 Embedded / Windows 10 IoT Enterprise

#### Expansion Slot:

- 1 x PCI-E(x16), 2 x Mini PCI-E
- \* A customized housing is needed if you would like to have the PCI expansion.

#### Order Options:

- |  |                                     |
|--|-------------------------------------|
| Mechanical : Open Frame  | Storage : <b>2.5" HDD/mSATA SSD</b> |
| IP65(8 mm bezel)   | RAM : SO-DIMM DDR3L 1600            |
| Touch : 5 Wires Resistive(Optional)  | OS : Windows XP Embedded            |
|  | Windows 7 Embedded                  |
|  | Windows 8 Embedded                  |
|  | Windows 10 IoT Enterprise           |
| (A customized housing is needed if you have demands of SAW/IR/SC/IT touch) | DVD : Yes(Optional)                 |

#### Accessories:

- External Power Supply 110~240V AC-in power adapter



**SCIGATE AUTOMATION (S) PTE LTD**  
 No.1 Bukit Batok Street 22 #01-01 Singapore 659592  
 Tel: (65) 6561 0488 Fax: (65) 6562 0588  
 Email: sales@scigate.com.sg Web: www.scigate.com.sg  
 Business Hours: Monday - Friday 8.30am - 6.15pm



date: 06/17/2016 V1.2

Note: All Specifications are subject to change without prior notice!