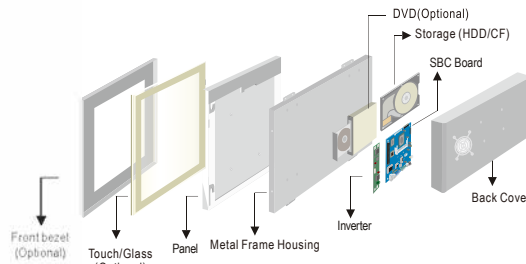


R17IV7T-PMM1 17" Panel PC (Intel® 3rd Generation Core™ i7/i5/i3)

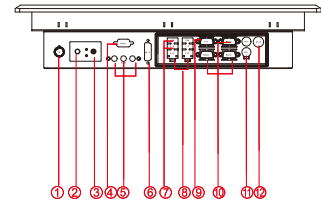
Mechanical Design



**Panel Mount
(8 mm front bezel)**



Mechanical design

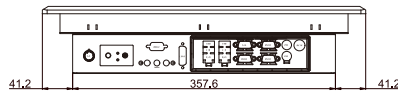
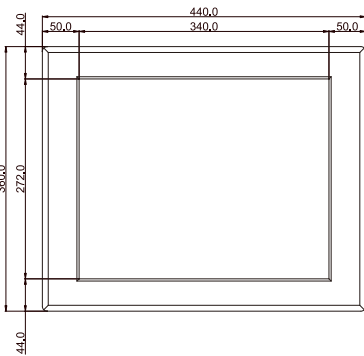


1. Brightness Adjustment Knob
2. Power On Button
3. Power Reset Button
4. RS-232 Conn.(Optional)
5. Audio Jack
6. DVI (Optional)
7. USB
8. RJ-45
9. VGA Out
10. RS-232 Conn.
11. PS/2
12. 12V DC-IN

Fully Integrated I/O

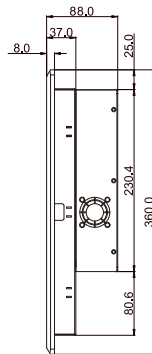
Dimensions

FRONT VIEW

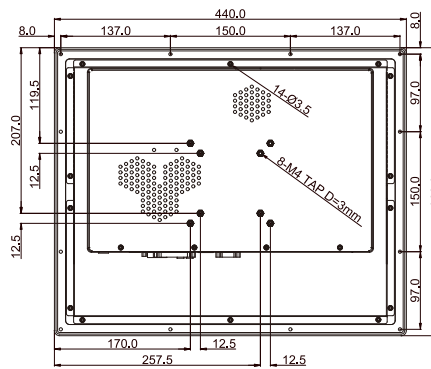


BOTTOM VIEW

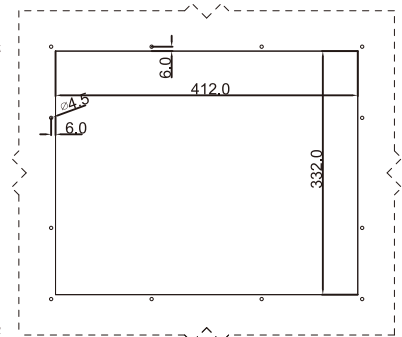
SIDE VIEW



BACK VIEW



IP65 CUT OUT



- * Measurements shown in mm
- * Tolerance of all dimensions is shown as follow 0~30 mm ± 0.1 mm, 30~50 mm ± 0.15 mm, 50~120 mm ± 0.2 mm, above 120 mm ± 0.25 mm
- * Note: this is a simplified drawing and some components are not marked in detail. Please contact our sales representative if you need further product information.

Specifications

System

- CPU : Intel® 3rd Generation Core™ i7/i5/i3
- Memory : 2 x SO-DIMM, Max 16GB DDR3L 1333/1600
- System Chipset : Intel® HM76 Chipset
- Storage : 1 x SATAIII, 1 x SATAII, 1 x mSATA
- LAN : Dual Broadcom BCM57780 GbE
- Audio Codec : Realtek ALC886 HD Audio Codec

Panel Spec

- Size/Type : 17" TFT
- Resolutions : 1280 x 1024
- Brightness : 350 cd/m² (typ.)
- Contrast Ratio : 1000 : 1(typ.)
- Viewing Angles : -85~85(H);-80~80(V)
- Max Colors : 16.7M (6bits+FRC)

Input / Output

- Serial Ports : 2 x RS232, 1 x RS232/422/485
 - USB Ports : 4 x USB 3.0
 - Keyboard / Mouse : 2 x PS/2
 - Ethernet : 2 x RJ 45-10/100/1000 Mbps
 - VGA : 1 x VGA (female)
 - Audio : Line-Out, Line-In, Mic in
- Default setting:RS232

Environment Considerations

- Operating Temperature : 0 deg.C to 50 deg.C
- Operating Humidity : 30% to 90% (non condensing)

OS BSP / Driver Support

- Support Windows 10 IoT Enterprise / WindowsXP Embedded / Windows7 Embedded / Windows8 Embedded

Expansion Slot

- 1 x PCI-E(x16), 2 x Mini PCI-E

Power Specifications

- Power Input : 12V DC IN
- Power Consumption : 95W(typ.)(Max.backlight & high CPU load)

Accessories

- External Adapter : 110~240V Ac-in power adapter

Order Options

- | | |
|-------------------------------------|-------------------------------------|
| Mechanical : Open Frame | Storage : 2.5" HDD/mSATA SSD |
| Panel Mount(8 mm bezel) | RAM : SO-DIMM DDR3L 1600 |
| IP65(8 mm bezel) | OS : Windows 10 IoT Enterprise |
| Touch : 5 Wires Resistive(Optional) | Windows XP Embedded |
| | Windows 7 Embedded |
| | Windows 8 Embedded |
| | DVD : Yes(Optional) |

(A customized housing is needed if you have demands of SAW/IR/SC/IT touch)



SCIGATE AUTOMATION (S) PTE LTD
 No. 1 Bukit Batok Street 22 #01-01 Singapore 659592
 Tel: (65) 6561 0488 Fax: (65) 6562 0588
 Email: sales@scigate.com.sg Web: www.scigate.com.sg
 Business Hours: Monday - Friday 8.30am - 6.15pm



Note: All Specifications are subject to change without prior notice!

Revised date: 06/17/2016 V1.2