

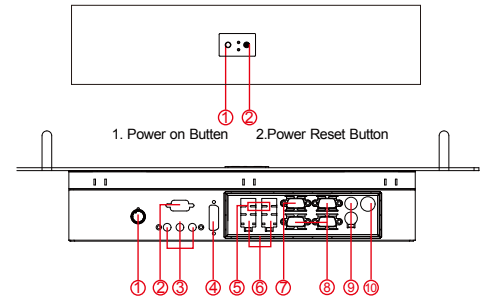
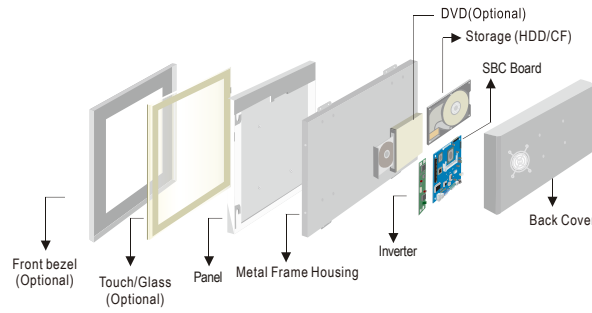
R17IV7T-RKM1 17" Rack Mount PPC

(Intel 3rd Generation i5/i7 CPU)

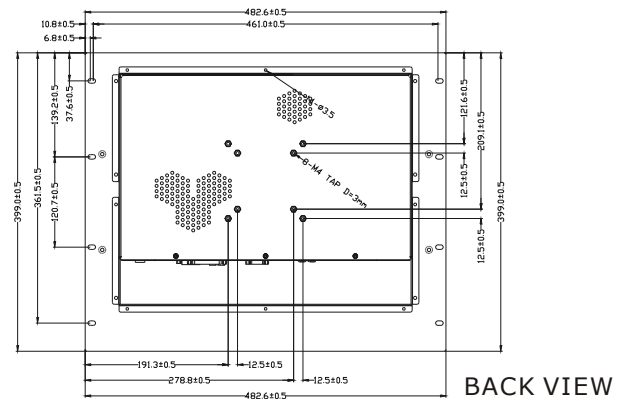
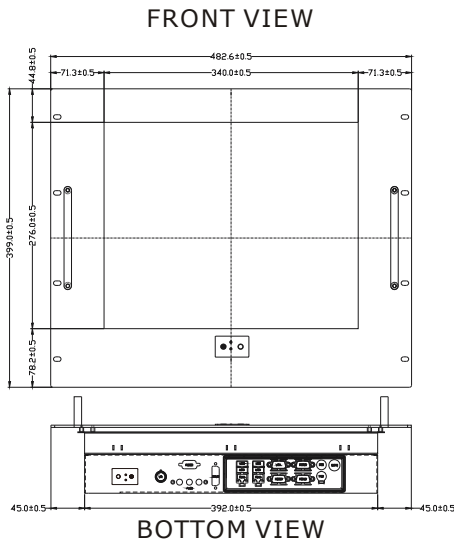
Mechanical Design



Rack Mount



Dimensions



- * Measurements shown in mm
- * Tolerance of all dimensions is shown as follow 0~30 mm ± 0.1 mm, 30~50 mm ± 0.15 mm, 50~120 mm ± 0.2 mm, above 120 mm ± 0.25 mm
- * Note: this is a simplified drawing and some components are not marked in detail. Please contact our sales representative if you need further product information.

System Specifications

System	
CPU	: Intel®Core™ i5-3320M i7-3520M (2.6GHz / 2.9GHz)
Memory	: 2 x SO-DIMM, Max 16GB DDR3 1333/1600
System Chipset	: Intel® HM76 Chipset
Storage	: 1 x SATAIII, 1 x SATAII, 1 x mSATA
LAN	: Dual Broadcom BCM57780 GbE
Audio Codec	: Realtek ALC886 HD Audio Codec

Panel Spec	
Size/Type	: 17" TFT
Resolutions	: 1280 x 1024
Brightness	: 350 cd/m ² (typ.)
Contrast Ratio	: 800 : 1(typ.)
Viewing Angles	: -80~80(H); -80~80(V)
Max Colors	: 16.7M (6bits+FRC)

Input / Output	
Serial Ports	: 2 x RS232, 1 x RS232/422/485
USB Ports	: 4 x USB 3.0
Keyboard / Mouse	: 2 x PS/2
Ethernet	: 2 x RJ 45-10/100/1000 Mbps
VGA	: 1 x VGA (female)
Audio	: Line-Out, Line-In, Mic in

● Default setting: RS232

Environment Considerations	
Operating Temperature	: 0°C to 50°C
Operating Humidity	: 30% to 90% (non condensing)

Expansion Slot	
1 x PIC-E(x16), 2 x Mini	* A customized housing is needed if you would like to have the PCI expansion.

Order Options	
Mechanical : Rack mount PPC Panel Mount(8 mm bezel) IP65(8 mm bezel) Chassis	Storage : 2.5" HDD/mSATA SSD
Touch : 5 Wires Resistive(Optional) (A customized housing is needed if you have demands of SAW/IR/SC touch)	RAM : SO-DIMM DDR3 OS : Windows XP Embedded Windows 7 Embedded Windows 8 Embedded Windows 10 IoT Enterprise DVD : Yes(Optional)

Accessories	
External Power Supply 120W w/power cord	

Power Specifications	
Power Input	: 12V DC IN (Lockable Power Jack)
Power Consumption	: 95W (typ.)(Max.backlight & high CPU load)



SCIGATE AUTOMATION (S) PTE LTD
 No.1 Bukit Batok Street 22 #01-01 Singapore 659592
 Tel: (65) 6561 0488 Fax: (65) 6562 0588
 Email: sales@scigate.com.sg Web: www.scigate.com.sg
 Business Hours: Monday - Friday 8.30am - 6.15pm

date: 17-Mar-2016 V1.4

Note: All Specifications are subject to change without prior notice!