

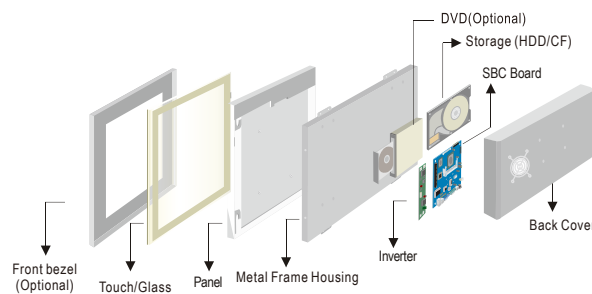
# R19IV7T-RKM1 19" Rack Mount PPC

(Intel 3rd Generation i5/i7 CPU)

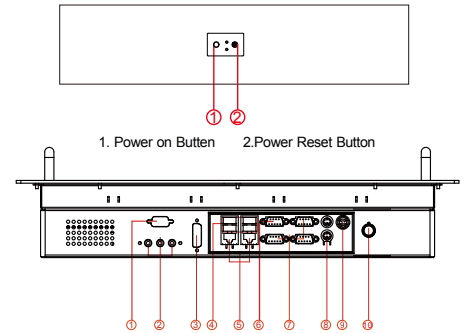
Mechanical Design



Rack Mount



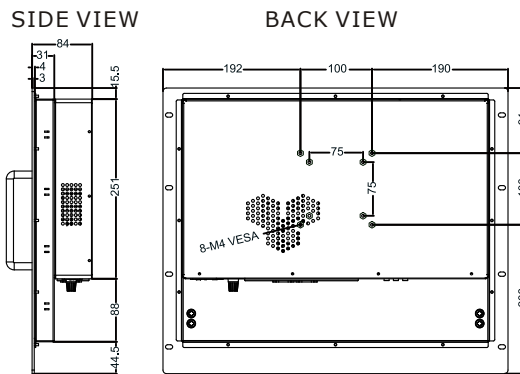
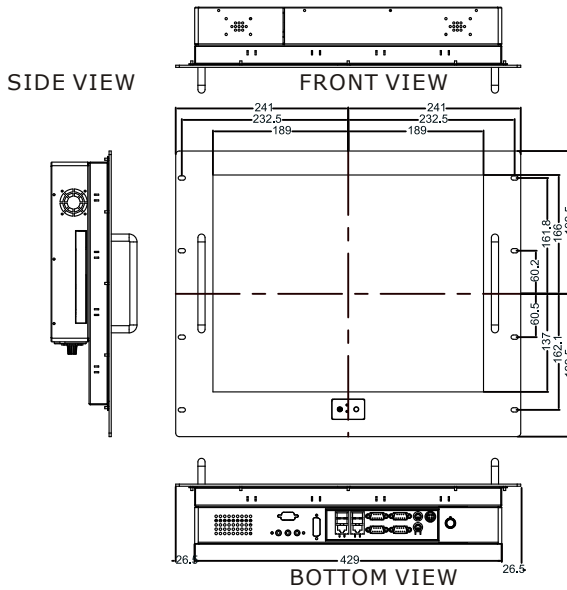
Modularized Construction



1. RS-232 Conn. (Optional)
2. Audio Jack
3. DVI (Optional)
4. USB
5. LAN
6. VGA Out
7. RS-232 Conn.
8. PS/2
9. DC 12V
10. Brightness Adjustment Knob

Fully Integrated I/O

## Dimensions



- \* Measurements shown in mm
- \* Tolerance of all dimensions is shown as follow 0~30 mm ± 0.1 mm, 30~50 mm ± 0.15 mm, 50~120 mm ± 0.2 mm, above 120 mm ± 0.25 mm
- \* Note: this is a simplified drawing and some components are not marked in detail. Please contact our sales representative if you need further product information.

## System Specifications

System	
CPU	: Intel®Core™ i5-3320M i7-3520M (2.6GHz / 2.9GHz)
Memory	: 2 x SO-DIMM, Max 16GB DDR3L 1600
System Chipset	: Intel® HM76 Chipset
Storage	: 1 x SATAIII, 1 x SATAII, 1 x mSATA
LAN	: Dual Broadcom BCM57780 GbE
Audio Codec	: Realtek ALC886 HD Audio Codec

Panel Spec	
Size/Type	: 19" TFT
Resolutions	: 1280 x 1024
Brightness	: 250 cd/m <sup>2</sup> (typ.)
Contrast Ratio	: 1000 : 1 (typ.)
Viewing Angles	: -85~85(H); -80~80(V)
Max Colors	: 16.7M (8bits+FRC)

Input / Output	
Serial Ports	: 2 x RS232, 1 x RS232/422/485
USB Ports	: 4 x USB 3.0
Keyboard / Mouse	: 2 x PS/2
Ethernet	: 2 x RJ 45-10/100/1000 Mbps
VGA	: 1 x VGA (female)
Audio	: Line-Out, Line-In, Mic in

• Default setting: RS232

Environment Considerations	
Operating Temperature	: 0°C to 50°C
Operating Humidity	: 30% to 90% (non condensing)

Expansion Slot	
1 x PIC-E(x16), 2 x Mini PCIe	

\* A customized housing is needed if you would like to have the PCI expansion.

Order Options	
Mechanical : Rack mount PPC	Storage: <b>2.5" HDD/mSATA SSD</b>
Touch : 5 Wires Resistive (Optional)	RAM : SO-DIMM DDR3
	OS : Windows 7 Embedded
	Windows 8 Embedded
	Windows 10 IoT Enterprise
	DVD : Yes (Optional)

(A customized housing is needed if you have demands of SAW/IR/SC touch)

Power Specifications	
Power Input	: 12V DC IN (Lockable Power Jack)
Power Consumption	: 96W (typ.) (Max. backlight & high CPU load)

Accessories	
External Power Supply 120W w/power cord	




**SCIGATE AUTOMATION (S) PTE LTD**  
 No.1 Bukit Batok Street 22 #01-01 Singapore 659592  
 Tel: (65) 6561 0488 Fax: (65) 6562 0588  
 Email: sales@scigate.com.sg Web: www.scigate.com.sg

Business Hours: Monday - Friday 8.30am - 6.15pm



Note: All Specifications are subject to change without prior notice!

28-Nov-2017 V1.5