

IP67 G-Win Display

Flat Touch Panel Mount Display

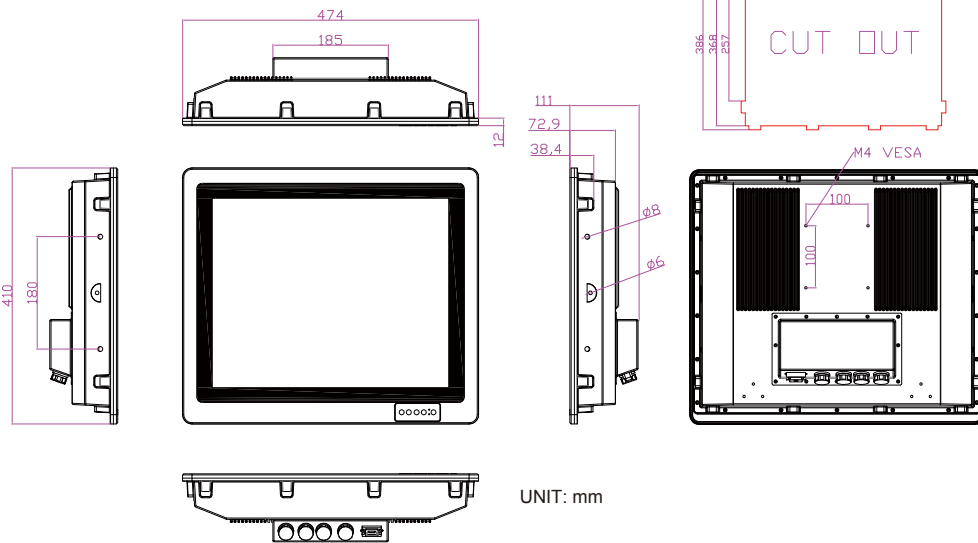
MODEL : R19L100-67FTP(HB)

Mechanical Design



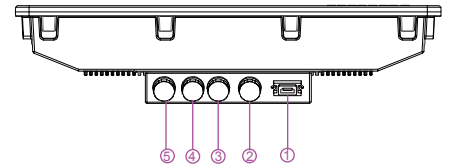
Features

- Totally sealed IP67 aluminum compact housing design
- 19-inch 1280x1024 panel with Projected Capacitive Touch
- -10°C to 60°C wide operating temperature
- Fanless, streamlined enclosure for highly efficient heat dissipation
- Rugged Front Anti-Impact Design (IEC60079-0 section 26.4.2)
- Front control membrane keys Lockable by software
- Full IP67 male connectors with external female cables
- Optical Bonding with Panel and Touch



SCIGATE AUTOMATION (S) PTE LTD

No.1 Bukit Batok Street 22 #01-01 Singapore 659592
 Tel: (65) 6561 0488 Fax: (65) 6562 0588
 Email: sales@scigate.com.sg Web: www.scigate.com.sg
 Business Hours: Monday - Friday 8.30am - 6.15pm



1. IP67 sealed HDMI (Optional)
2. IP67 sealed VGA Input
3. IP67 sealed COM for remote control (Optional)
4. IP67 USB for Touch
5. IP67 sealed 9~36V DC in

* Note: this is a simplified drawing and some components are not marked in detail. Please contact our sales representative if you need further product information.

System Specifications :

- Model Name : R19L100-67FTP
- Resolutions : 1280 x 1024
- Brightness : 400 cd/m² (typ.) for R19L100-67FTP
1000 cd/m² (optional)
for R19L100-67FTPHB (High Brightness)
- Contrast Ratio : 1000 : 1 (typ.)
- Viewing Angles : -85~85(H); -80~80(V)
- Max Colors : 16.7M
- Recommended Resolution : 1280 x 1024 @ 60Hz~75Hz
- Signal Input : 15 pin D-Sub
- Power Input : 9~36V DC in, with External AC to DC Adapter(100-240V AC)
- Touch Screen : Projected Capacitive (Optional AR Protection glass)

Mechanical Specification :

- Mechanical Housing : Panel Mount
- Dimension(W x H x D) : 474mm x 410mm x 143.5mm
- Gross Weight : 13.5 kg
- Net Weight : 10.0 kg

Power Specifications :

- Power Input : 9~36V DC input

Environment Considerations :

- Operating Temperature : -10 deg.C to 60 deg.C
- Operating Humidity : 5 to 95%

Full IP67 Connectors :

- 1 x IP67 grade Connectors for HDMI (Optional)
- 1 x IP67 grade Connectors for DC 9~36V in
- 1 x IP67 grade Connectors for RS232 Remote Control (Optional)
- 1 x IP67 grade Connectors USB for Touch Screen
- 1 x IP67 grade Connectors for VGA signal in

Accessories :

- 1 x Driver & Manual CD
- 1 x AC to DC 12V 50W Power Adapter
- 4 x IP67 External Cables (USB / VGA / COM (Optional) / Power)

Standards and Certifications

- Safety : UL60950-1, CSA C22.2 No. 60950-1-07, EN60950-1, IEC60950-1
- CE
- FCC
- FIP67 Sealed Housing certified by SGS
- Shock : MIL-STD-810G Method 516.6
- Drop : MIL-STD-810G Method 516.6
- Vibration : MIL-STD-810G Method 514.6

