

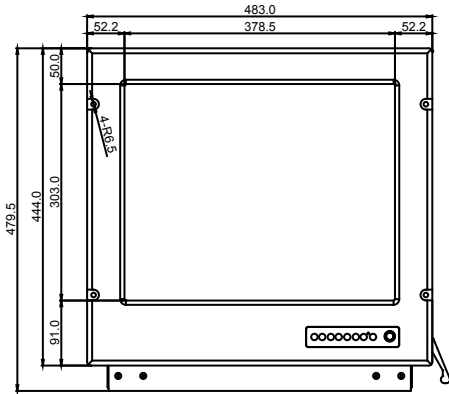


19"

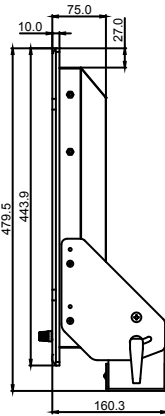
Marine Bridge System Display

Model # R19L300-MRA1

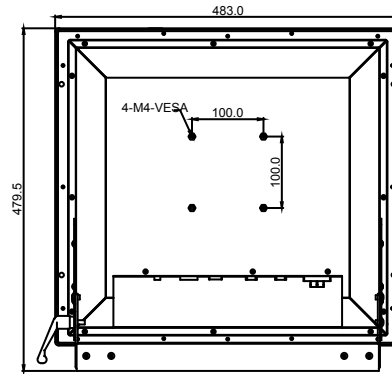
Mechanical Design with Robust Bracket (options)



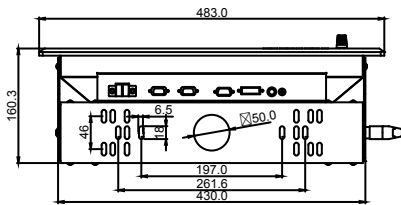
FRONT VIEW



SIDE VIEW

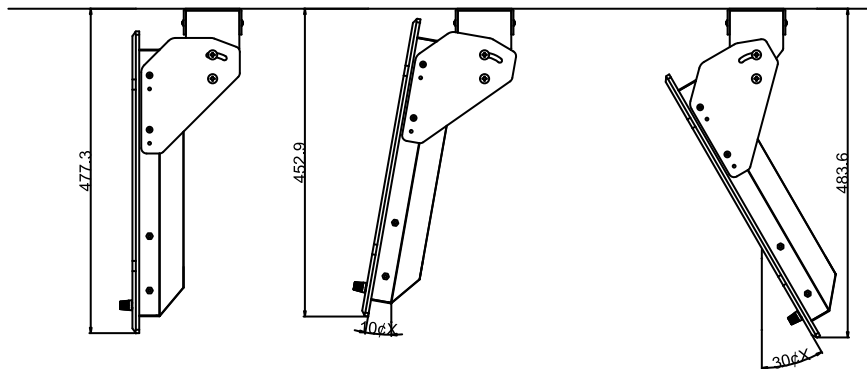


BACK VIEW

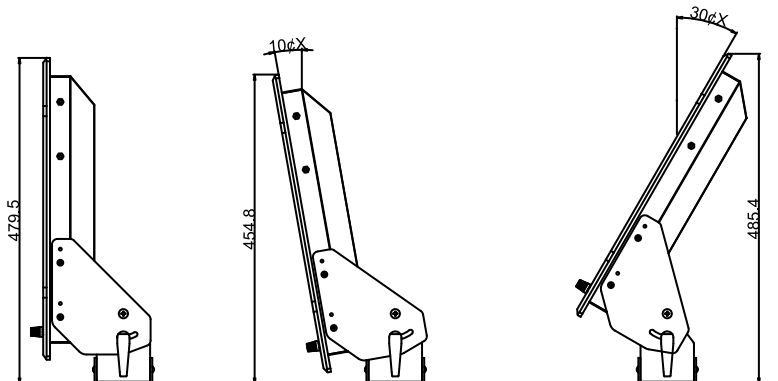


BOTTOM VIEW

ROOF MOUNT



STAND ANGLE



SCIENCE GATE
Your Automation Partner

SCIGATE AUTOMATION (S) PTE LTD
No.1 Bukit Batok Street 22 #01-01 Singapore 659592
Tel: (65) 6561 0488 Fax: (65) 6562 0588
Email: sales@scigate.com.sg Web: www.scigate.com.sg
Business Hours: Monday - Friday 8.30am - 6.15pm

All Dimensions are ± 0.5 mm

* Note: this is a simplified drawing and some components are not marked in detail. Please contact our sales representative if you need further product information.