

# Multi-touch Solution 19" Marine Bridge System Display

Model # R19L300-MRA2MT

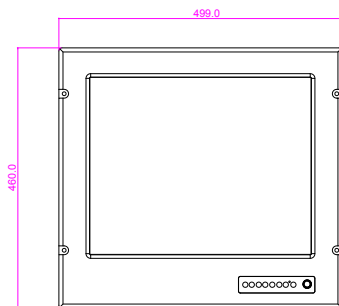
## Features:



- Hyper Dimming : Dimming knob control backlight brightness from nearly 0% to 100%
- Anti-Corrosion & IP Proof : IP65 aluminum housing with powder coating design (IP54 rear)
- Wide Voltage Range Input : 24 V DC to DC power input acceptable (Isolation Resistance)
- Multi-touch screen / Protection Glass : High quality Multi-touch screen / AR protection glass for optional
- Multiscan Function : PIP (picture in picture) function and multi-video inputs
- IP65 OSD Front Panel Design : Ease of use front panel OSD control
- Anti-Shock and Vibration : Enhanced shock and vibration resistance



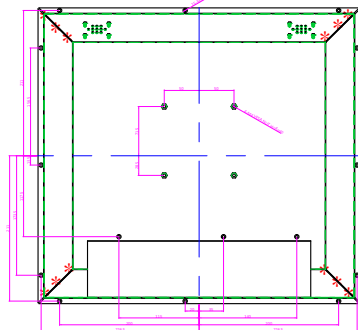
## Mechanical Design Drawings



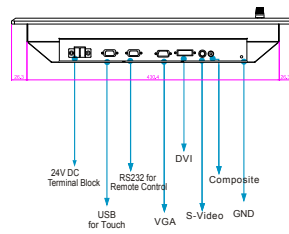
Front View



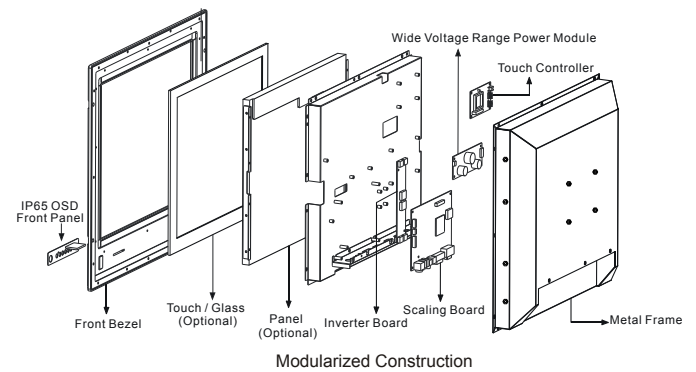
Side View



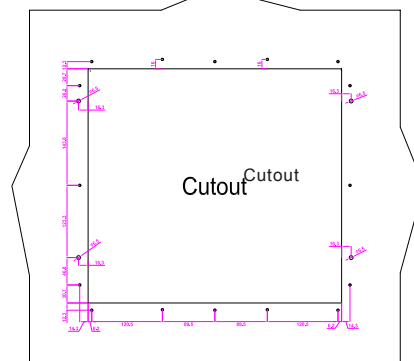
Rear View



Bottom View



Modularized Construction



All Dimensions are  $\pm 0.5$  mm

\* Note: this is a simplified drawing and some components are not marked in detail. Please contact our sales representative if you need further product information.

## TFT Characteristics:

Pixel Number	: 1280 x 1024
Pixel Pitch (RGB)	: 0.294 (H) x 0.294 (V) mm
Contrast Ratio	: 1000:1 (typ.)
Light Intensity	: 350 cd/m <sup>2</sup> (typ.)
Viewable Angles	: -85~85(H); -80~80(V)
Active Display Area	: 376.32 (H) x 301.06 (V) mm
Max Colors	: 16.7M (8bit/colors)

## Input Signals:

RGB Signal	: D-SUB 15P connector (female)
Composite Video	: RCA phono plug
S-Video Signal	: S-Video (SVHS) plug
DVI-D Signal	: DVI-D input 24pin connector
DC Power Signal	: Screw terminal block
AC Power Signal (Optional)	: Std IEC Inlet
Touch Screen (Optional)	: USB connector (female)
Remote via RS-232 (Optional)	: D-SUB 9P connector (female)

## User Controls:

- Power On/Off via front button
- VR Brightness Knob Control
- Power Mode Status LED
- On Screen Display control (OSD)
- OSD Remote Control via RS-232



**SCIGATE AUTOMATION (S) PTE LTD**  
 No.1 Bukit Batok Street 22 #01-01 Singapore 659592  
 Tel: (65) 6561 0488 Fax: (65) 6562 0588  
 Email: sales@scigate.com.sg Web: www.scigate.com.sg

Business Hours: Monday - Friday 8.30am - 6.15pm

## Power Specifications:

Power Supply Options	: 24 V DC power supply with Terminal block (Default, Isolation Resistance)
Power Consumption	: 45 W typical, normal operation

## Mechanical and Environmental:

Mechanical Mounting	: Panel (Flush) mount with IP65*, VESA, Bracket mounting
Operating Temperature	: -15 to 55 deg.C
Operating Humidity	: 5% to 95% (non condensing)
Anti-Vibration	: 5Hz~500Hz / 1Grms/3 Axis
Anti-Shock	: 15G, 11ms duration
* SAW touch for IP54	

## Available Options:

Touch Screen Options	: Projective Capacitive touch (Support 2 Point)
AR Safety Glass Options	: 3mm Anti-reflective protection glass
Bracket Mounting Options	: Yes (One robust bracket can adjust from -10 to 30 deg.)